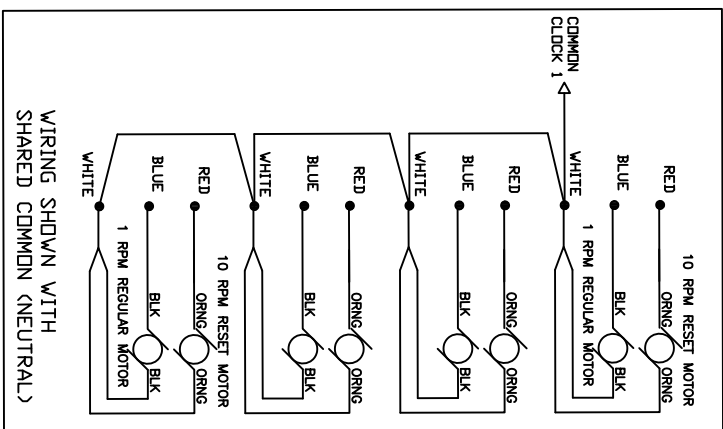


Unplug terminals
to complete wire
terminations.

SWITCH UP: (FAST) Clock will advance at 10 times speed.
 SWITCH MIDDLE: (OFF) Clock will Stop
 SWITCH DOWN: (NORMAL) Clock will run at normal speed



REVISIONS		DATE	MATERIAL	NAME	
A	Updated for A160-150-013-0 PCB	10-09-11	SCALE	4 SWITCH with 2MR Clocks wiring	
B			USED DN		
C					
D					
E					

LIMITS NOT OTHERWISE NOTED FRACTIONS ± .0010 / DECIMALS ± .0005		DATE 03-02-21	MPB
		PART NO.	DRAWING NO. 11037 (1)

NATIONAL SIGNALS & SIGNAL CORPORATION