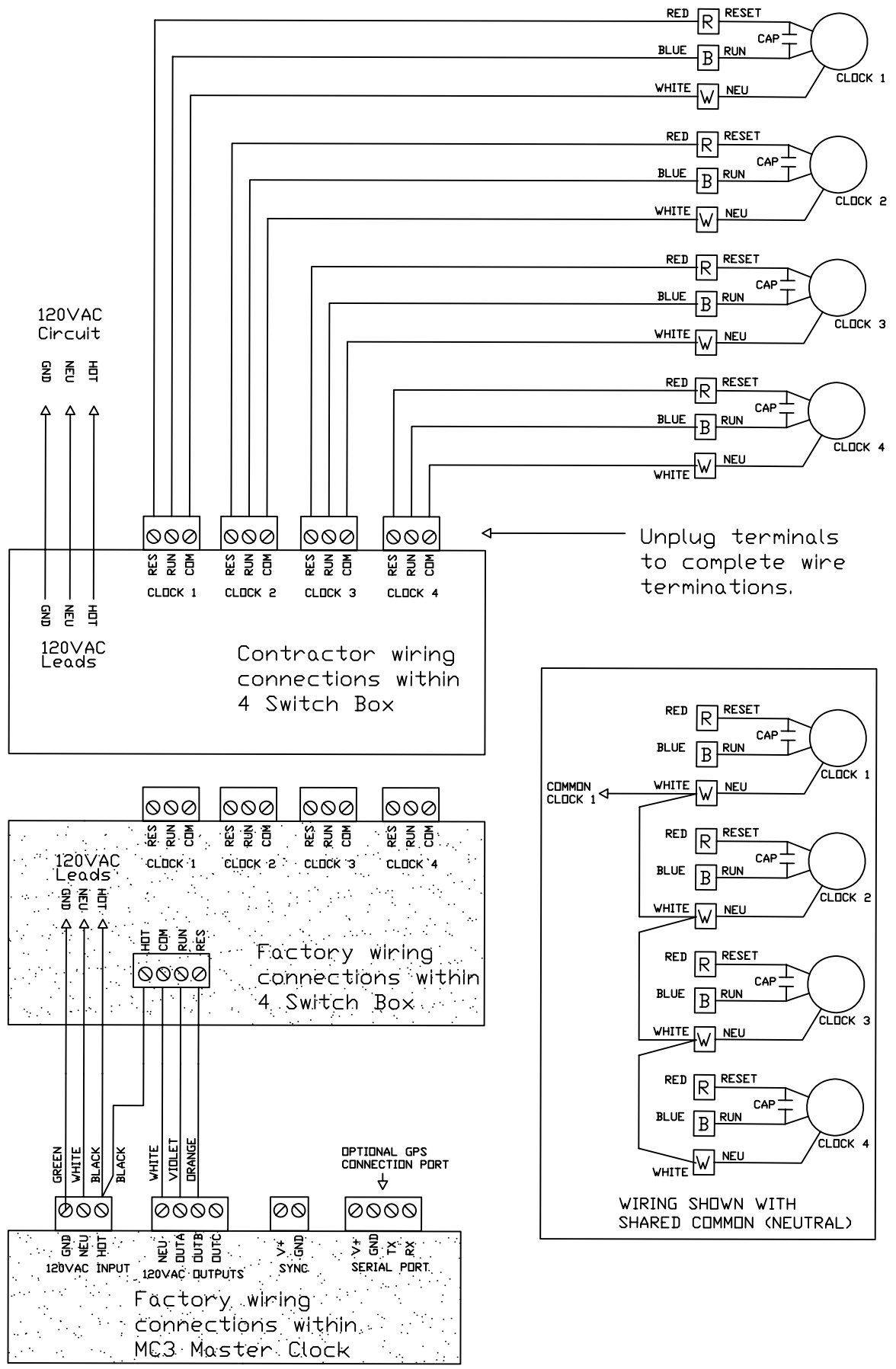


E		LIMITS NOT OTHERWISE NOTED FRACTIONS ± 0.010 / DECIMALS ± 0.005	
D		DATE	01-15-10
C		NAME	MC3 with 4SW Reversible Motor Series Clocks
B		USED ON MC3 with multiple outdoor clocks with Reversible Motors	
A		Updated for A160-150-013-0 PCB	
REVISIONS		DATE	10-09-11
MATERIAL		SCALE	

NATIONAL & SIGNAL CORPORATION



WIRING SHOWN WITH SHARED COMMON (NEUTRAL)