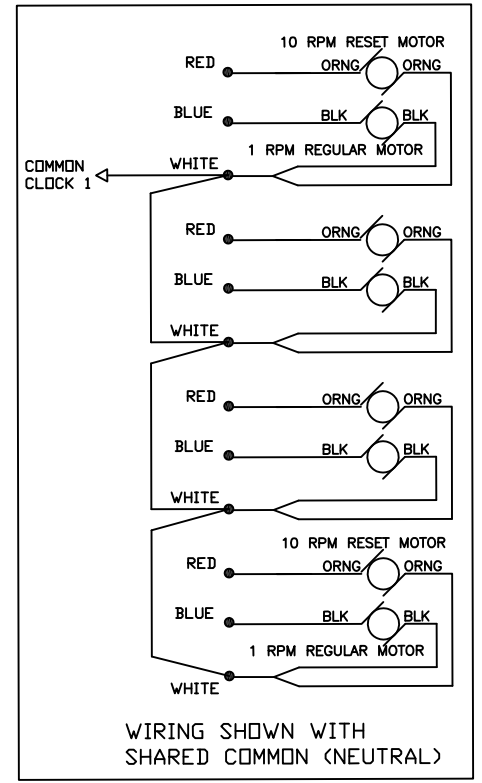
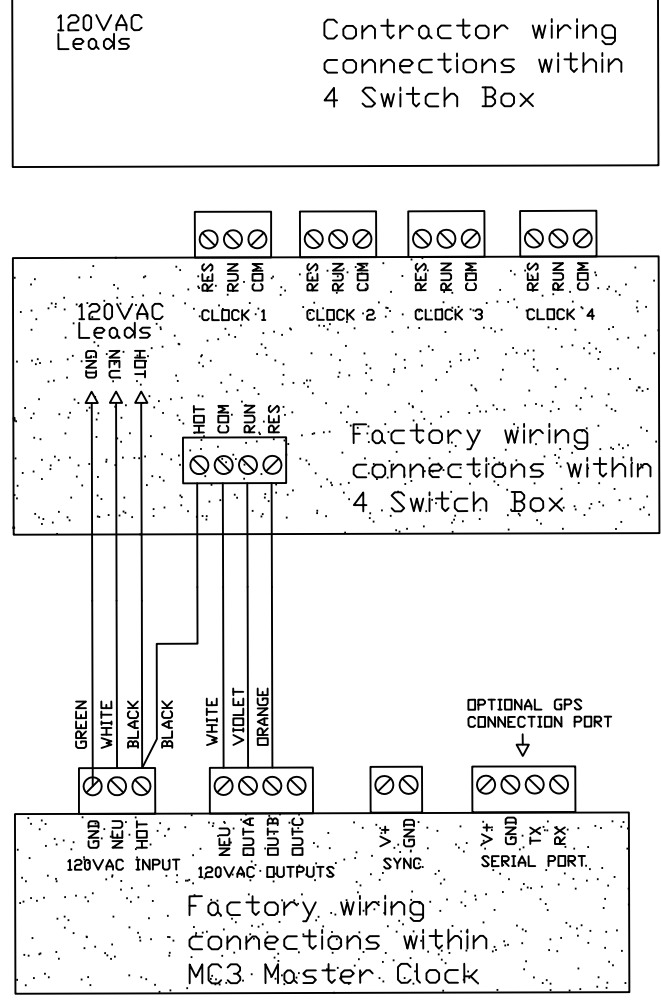
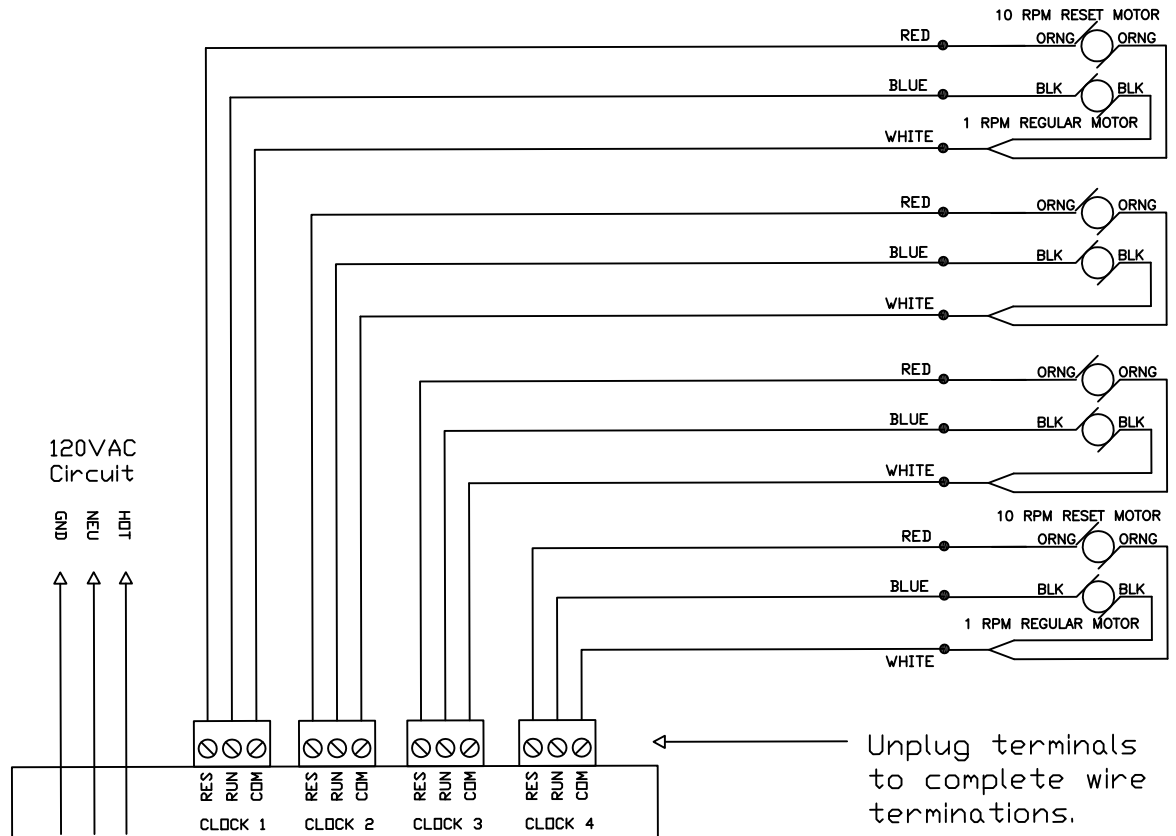


E		D		C		B		A	
								Updated for A160-150-013-0 PCB	
								REVISIONS	
								DATE	
								10-09-11	
								MATERIAL	
								SCALE	
								USED DN	
								LIMITS NOT OTHERWISE NOTED FRACTIONS ± .001 / DECIMALS ± .005	
								NAME MC3 with 4SW for ©MR Series Clocks	
								DATE 01-15-10	
								PART NO.	
								DRAWN BY	
								11014 (1)	



NATIONAL TIME & SIGNAL CORPORATION