

PROGRAM: NATSCO x10: Select this type for National Time & Signal synchronous clocks with 10 TIME SPEED correction. The clocks are automatically corrected for power outages and daylight savings adjustments. The MC-100 will not adjust the clocks for very short power outages but will accumulate all short outages until they equal at least 30 seconds. A movement constant (the amount of lag a particular clock has while changing from normal to 10x speed) may be entered for each circuit (consult factory). The default value is 00.

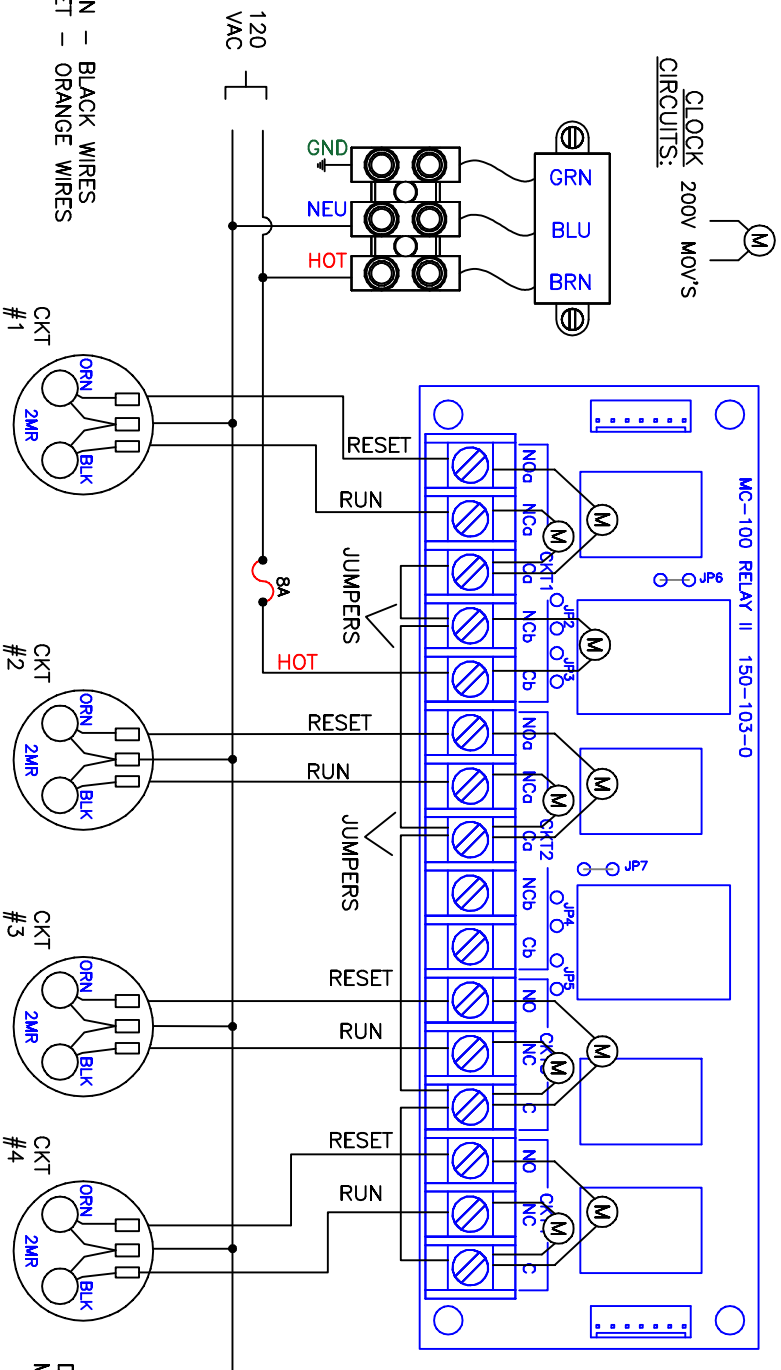
MANUAL SLIDE SWITCH: OFF: (Circuit 1) Will stop ALL of the clocks and inhibit any automatic adjustments (or cancel any adjustments in progress).
 Circuit 1 switch controls clocks on circuits 2, 3, and 4.

(Circuits 2-4) Will disable any automatic adjustments on that circuit, but will not stop the clock.

AUTO: Will enable the automatic events or resets that are programmed and apply power to the RUN line.

ON/RESET: Will activate the Manual Correction Menu. When 'Correction Amt.' appears on the display, enter the number of hours, minutes and seconds that the clock on that circuit needs to be advanced.

Press ENTER and the clock will begin to advance at 10 times normal speed. The circuit will return to AUTO when the switch is released.



REVISIONS	DATE	MATERIAL
A		SCALE
B		USED DN
C		
D		
E		

NATIONAL TIME & SIGNAL CORPORATION	
NAME MC-100 RELAY DUAL MOTOR WIRING	
DATE 7-21-25	AB
PART NO.	DRAWN BY DRAWING NO. 10148

LIMITS NOT OTHERWISE NOTED
 FRACTIONS ± 0.010 ; DECIMALS ± 0.005