

The Fire Protection and Research Foundation (FPRF) found that “a square-wave sound with a fundamental frequency in the lower ranges (i.e. 520 Hz) to be more effective than the current high pitched smoke signal across a range of populations”. The NATIONAL TIME low frequency signaling device is designed to meet the newly adopted NFPA 72 sleeping space requirements of a 520 Hz square-wave tone based upon these findings. The signal pattern can be temporal 3 or temporal 4 output to meet future carbon monoxide signaling requirements.

These SG-LF Series signals achieve the industry’s highest dBA levels (even on its normal level setting) while remaining the lowest current draw¹. This provides better coverage and fewer devices in some installations.

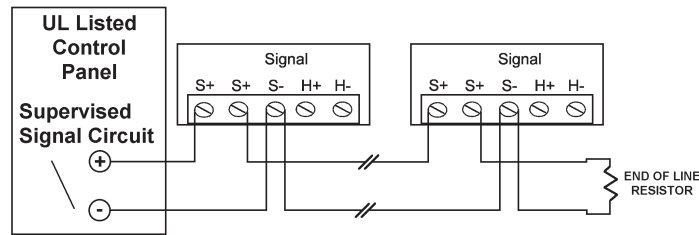
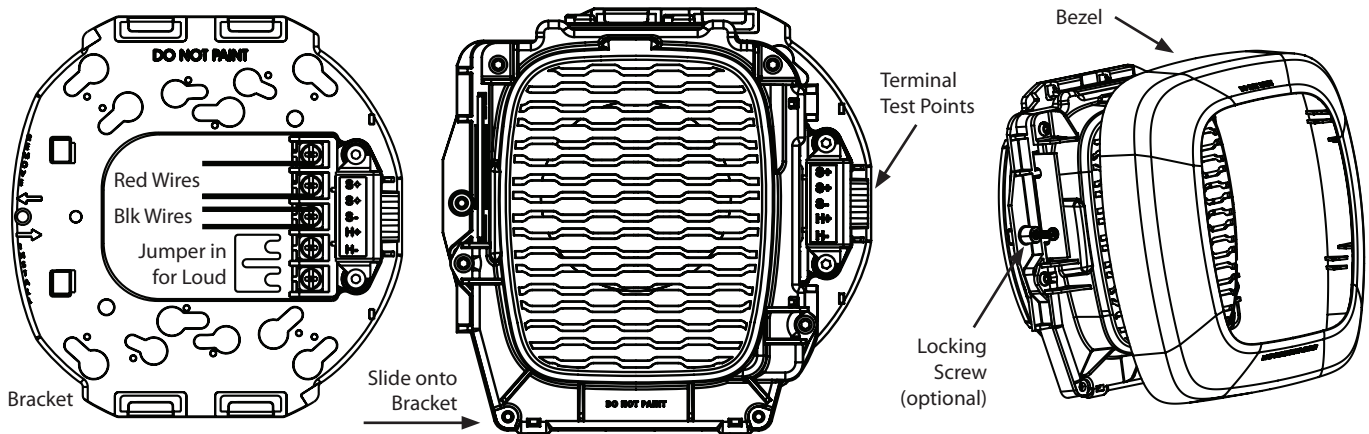
The aesthetically pleasing design (available in red or off-white) did not compromise the ease of installation that you have become accustomed to with National Time signaling devices. The universal mounting plate can be mounted on a wall or ceiling using a single gang, double gang, double workbox, 3.5” round, or 4-square electrical boxes. The sliding mounting bracket allows the installer to pre-wire the system, test for system supervision, and remove the signal head until occupancy. Furthermore, there is volt meter access to the wiring terminals when the device is installed to make it simple to confirm end of line voltages.

¹The SG-LF horn at the Temporal 3 Normal setting has a higher dBA rating than top three competitors devices Temporal 3 low or high settings (when available). It also draws the least current when comparing the competition’s 24VDC device with nearest dBA level settings.



Benefits

- 520 Hz Square-Wave Tone
- Jumper selection for Normal or Loud dBA Setting
- Synchronized Pattern Across Devices
- Universal Mounting Bracket
- Highest dBA and Lowest Current¹
- Temporal 3 and Temporal 4 Capability
- Tamper proof Re-entrant Style Grill with Locking Screw
- ANSI/UL 464 Listed
- Manufactured in U.S.A.



Typical Class B Wiring

Specifications

Horn Mode	Horn Decibel Levels: Reverberant Room Min. SPL@10' per UL464		24VDC Nominal Horn Current Ratings		Horn Current Ratings over Input Range 16-33VDC	
	Normal	Loud	Normal	Loud	Normal	Loud
Temporal 3	77.8 dBA	79.8 dBA	72.1 mA	120.1 mA	99.4 mA	155.8 mA
Temporal 4*	81.5 dBA	83.4 dBA	75.9 mA	116.0 mA	100.1 mA	157.2 mA

*Temporal 4 520 Hz measured per ANSI/UL 2075

Notes: Operating Temperature 32-120F.

Sound output for the temporal 3 tone is rated lower since the time the horn is off is averaged into the sound output rating.

Ordering Information

Part No.	Description
SG-LFHN-R	Low Frequency 520 Hz Horn, Red
SG-LFHN-W	Low Frequency 520 Hz Horn, White