

The NATIONAL TIME *DigiComm*™ Detector bases provide the flexibility to meet any installation requirements. The DS900-IDENT Address card resides in the detector base permitting easy, cost effective detector replacement without re-programming or addressing. The bases are mechanically fitted to accept only the proper detector or isolator. The detector bases come in ceiling mounted 4" and 6" sizes, and a 6" base with sounder. The sounder is available in standard high frequency or 520 Hz low frequency. The 6" sounder bases require 24VDC power.



DS900-BASE4

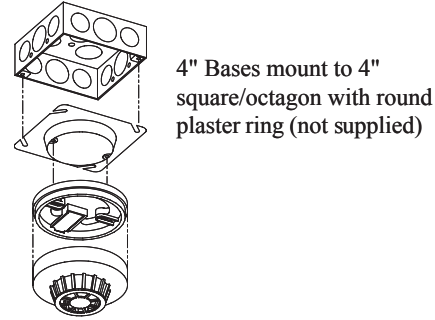
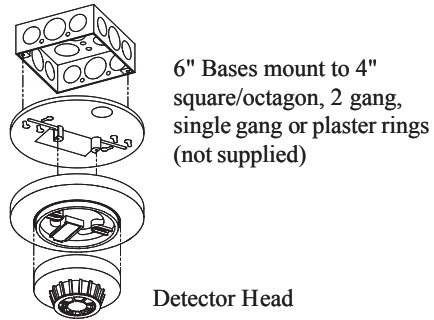
DS900-BASE6 SOUND-NAC
DS900-BASE6 SOUND-520

DS900-BASE6

Features:

- Class A, B or X Communication Wiring
- Attractive Packaging
- Remote Sounder
- U.L. Listed

Mounting



Specifications

- BASE POWER (EXTERNAL SUPPLY):** DS900-BASE6 SOUND-NAC: Alarm 33mA
DS900-BASE6 SOUND-520Hz: Alarm 0.070A low (75dB@10'); 0.130A High (85db@10')
- OPERATING RANGE:** DS900-BASE6 SOUND-NAC, DS900-BASE6 SOUND-520: 16-33VDC
- FINISH:** White Polycarbonate
- DIMENSIONS:** DS900-BASE4: 4" dia. x .62"
DS900-BASE6: 6" dia. x 1.6"
DS900-BASE6 SOUND-NAC: 6" dia. x 1.6"
DS900-BASE6 SOUND-520 6" dia. x 1.6"

Ordering Information

Part No.	Description
DS900-BASE4	4" Digicom TM Detector Base
DS900-BASE6	6" Digicom TM Detector Base
DS900-BASE6 SOUND-NAC	6" Digicom TM Detector Base with Sounder
DS900-BASE6 SOUND-520	6" Digicom TM Detector Base with 520 Hz Sounder
DS900-IDENT	Digicom TM Detector Address Identification Insert

Bases include one DS900-IDENT address insert.