

SG-CXLPSSZ-WH

SG-CXLPSSZ

SG-CXLP SN

The NATIONAL TIME CXLP Series speaker and strobe /speaker are designed to meet the code requirements for audio, visual and voice communications.

The CXLP Series speaker provides 25 and 70.7 VRMS speaker output with field selectable power taps of 1/8W, 1/4W, 1/2W, 1W, 2W or 4W

The CXLP Series strobe provides a low operating current and a minimum flash rate of 1Hz across the rated input voltage range. The CXLP candela intensity is field selectable in 15CD, 30CD, 60CD, 75CD or 110CD ratings. A fixed 15/75 candela is also available. The strobe component of the CXLP Series operates from the synchronized outputs on the National Time Synchronized Series, Fire Alarm Control Panel or Notification Appliance Control Panel or from the Remote Power Supply.

The CXLP Synchronized Series will mount to a 4" square (2 1/8) deep backbox for flush mount appliances or for surface mount applications use the SG-GBLP surface box.

The CXLP Series appliances are UL 1480 and UL 1971 listed for use with fire protective systems.

FEATURES

Low Operating Current

Easy Installation

Convenient Test Operation

Tamperproof Grill

Selectable Voltage

Selectable Power taps

Selectable Candela

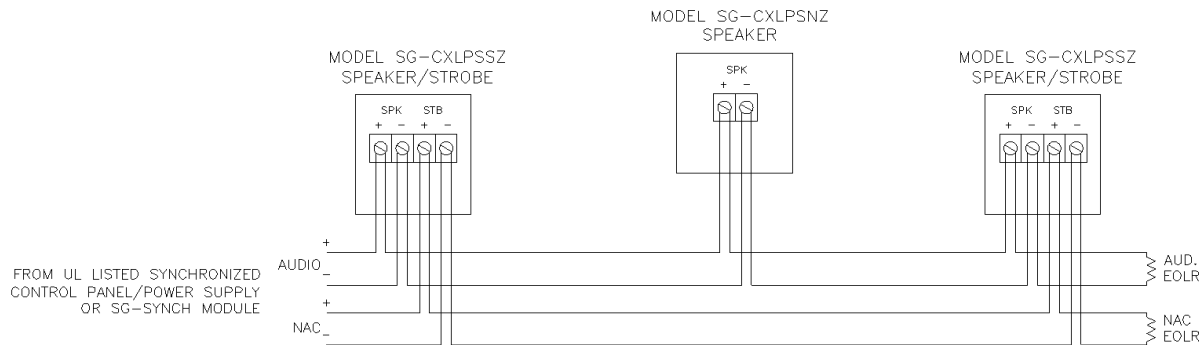
Input Terminals 12 to 18 AWG

Strobe Synchronization

ADA Compliant; NFPA 72

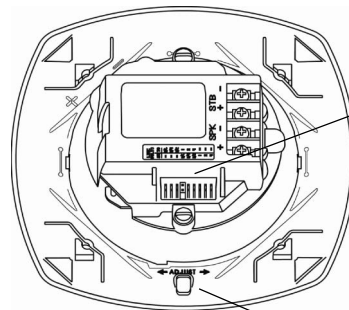
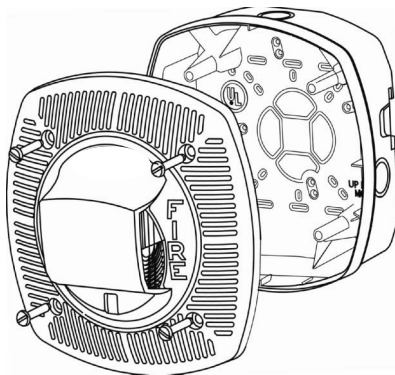
U.L. Listed

Wiring Diagrams



Mounting Options

2-1/8" Deep
4" Square Box or SG-
GBLP for Surface
Applications.



Speaker Wattage
Selection Jumper

Strobe Candela
Settings

Ordering Information

Model Number	Nominal Voltage	Candela	Strobe Current		Rated Watts Selection (@ 25V & 70.7V)
			24 Vdc	20 Vdc	
SG-CXLPSSZ	24 Vdc	15	55mA	67mA	1/8, 1/4, 1/2, 1, 2, 4
SG-CXLPSS1575Z	"	15/75	63mA	80mA	1/8, 1/4, 1/2, 1, 2, 4
SG-CXLPSSZ	"	30	63mA	80mA	1/8, 1/4, 1/2, 1, 2, 4
SG-CXLPSSZ	"	60	88mA	113mA	1/8, 1/4, 1/2, 1, 2, 4
SG-CXLPSSZ	"	75	112mA	146mA	1/8, 1/4, 1/2, 1, 2, 4
SG-CXLPSSZ	"	110	136mA	180mA	1/8, 1/4, 1/2, 1, 2, 4
SG-CXLPSN	NA	-	-	-	1/8, 1/4, 1/2, 1, 2, 4

When ordering, please specify style by adding the following to the end of the model number: "WH" = White Version
24VDC Models operate from 16 -33VDC

Model	Wattage Rating	dBA @ 10 Feet, 70.7 Volts
SG-CXLP Series Speaker	1/8	73.7
SG-CXLP Series Speaker	1/4	76.7
SG-CXLP Series Speaker	1/2	79.6
SG-CXLP Series Speaker	1	82.5
SG-CXLP Series Speaker	2	85.4
SG-CXLP Series Speaker	4	87.9

NATIONAL TIME
& SIGNAL CORPORATION

28045 OAKLAND OAKS CT. WIXOM, MI 48393

PHONE (248) 380-6264 FAX (248) 380-6268

www.natsco.net