



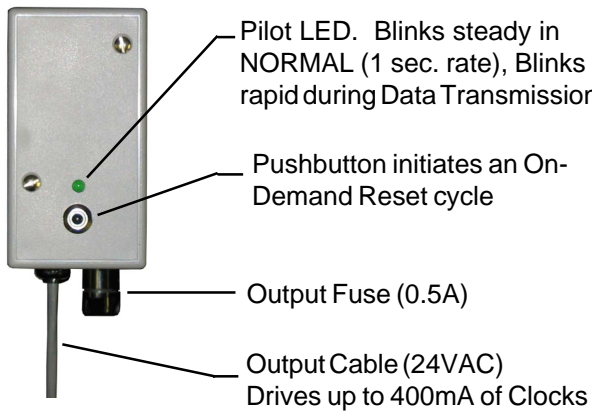
OD-DEMO Unit
Clock(s) ordered separately

The OD-DEMO Unit is a convenient way to demonstrate the superior resetting capabilities of the National Time & Signal clock line. Unlike other systems which require an hour and 12-hour reset cycle at a predetermined time (typically 5:58) before the clocks will display the correct time, National's On-Demand Instant Reset allows all clocks to immediately adjust to the exact time of day. This instant correction capability eliminates the frustrations and disruptions caused by the loss of the clock system time keeping for the entire day.

Power and time data share the same two wires to eliminate the need for additional wire. Best of all, this improved functionality can coexist on the same wiring as existing clocks by other manufacturers. National clocks will receive time data without affecting the operation of existing clocks on the same circuit.

The OD-DEMO Unit combines a power supply and microprocessor circuitry capable of On-Demand Resets into a housing which can be plugged into any standard 120VAC outlet. A low voltage cable is connected to a standard Rotary Drive Synchronous analog clock or D/DX Series digital clock (ordered separately). A push-button on the unit will demonstrate a typical reset that would occur following a power outage.

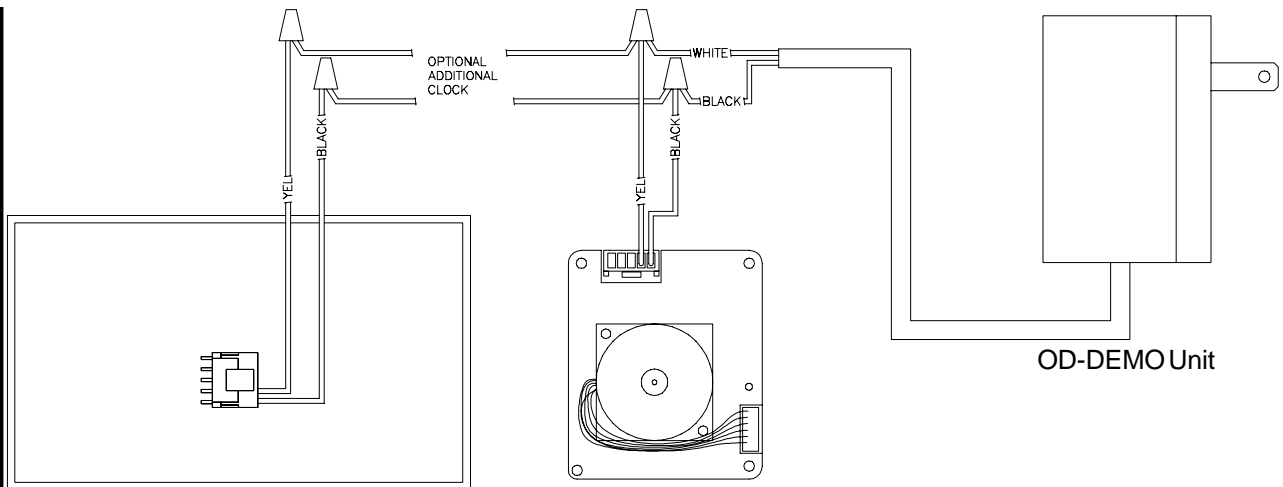
Description



The OD-DEMO Unit keeps time internally utilizing a 10 year lithium battery. Time of day (Eastern Time) is set at the Factory prior to shipment. Specify if other time zone is desired.

1. Connect the clock(s) to the output cable using supplied connectors.
2. Plug the OD-DEMO Unit into a standard 120VAC 60Hz outlet.
3. After a brief initialization (approx. 10 sec.), the time data will be transmitted to the clock(s) and the clocks will advance to the correct time.
4. Subsequent time data transmissions can be initiated by pressing the pushbutton.

Wiring



D or DX Series Digital
Upon receiving time data, the digital clock will immediately display the actual time.

RD2WS Series Analog
Upon receiving time data transmission, the RD2WS will locate its hand position then determine the shortest route to the actual time.

Ordering Info

Order No.	Description
OD-DEMO	On-Demand Instant Reset Demonstration Unit. 24VAC 400mA output. Clocks ordered separately
Suggested Clock Numbers. Refer to sheets C-332 and C-420 for details	
SR-12RD2WS-03	Surface mount 12" Round Rotary Drive Synchronous Clock. 24VAC
DX225	2.25" Executive Series Digital Clock. 24VAC
DX400	4.0" Executive Series Digital Clock. 24VAC

NATIONAL TIME
& SIGNAL CORPORATION

28045 OAKLAND OAKS CT. WIXOM, MI 48393

PHONE (248) 380-6264 FAX (248) 380-6268

visit us at www.natsco.net