



DU225-6 Digital Clock



DU400-6 Digital Clock

Compatible with D/DX/DU
Series 4-Digit Digitals

Are you tired of searching various manufacturers to locate a clock that is compatible with your clock system? For those who desire a clock series that they can install on most any system with confidence, NATIONAL TIME has the answer. The NATIONAL TIME DU Series Digital Clock offers operation and features beyond those found throughout the industry. This microprocessor based secondary clock has the intelligence to adapt to the system on which it is installed. Not only does the DU series do everything the other National series digital clocks can, it can do so much more. Whether it is a 3-wire synchronous system with 58th minute correction or hourly correction, a 4-wire system with AC run and DC reset, a two wire system with actual time reset, or one you haven't seen for years... *this is the clock for you*. Right out of the box, this clock can distinguish and accept the most popular reset formats. For those *legacy* reset formats, they can be selected from an always growing list of supported formats. This premium series also offers NATSCO's exclusive automatic dim feature that decreases the brightness to compensate for low ambient light levels associated with artistic and video productions. This not only provides a pleasant brightness level, but also saves energy during nighttime hours. Nine brightness levels may be selected to satisfy the brightest locations. 12 hour or 24 hour time format is selectable at each clock as well as 50/60hz for accurate timekeeping. Stand-alone operation without a master clock is also made possible using the included time setting buttons. 24VAC units are available in attractive 4" or 2.25" high visibility, wide-bar digits. Compatible with 120VAC powered systems when the appropriate 24VAC transformer is mounted at each clock or double face unit.

The durable steel housing, plug-in connectors and universal mounting plate simplify installation. An optional low profile surface box allows for surface mounted conduit entry. Powder grey finish standard, other colors upon request.

FEATURES

Supports Many Reset Formats

Analog Clock Compatible

Automatic format detection

2,3 or 4 Wire Compatibility

24VAC or 120VAC Operation

Long-Life Epoxy Sealed Display

**Auto-Dim Feature for
Theatrical, Video, and Artistic
Productions**

9 Brightness Levels

12/24-hr Display Format

50hz or 60hz Timekeeping

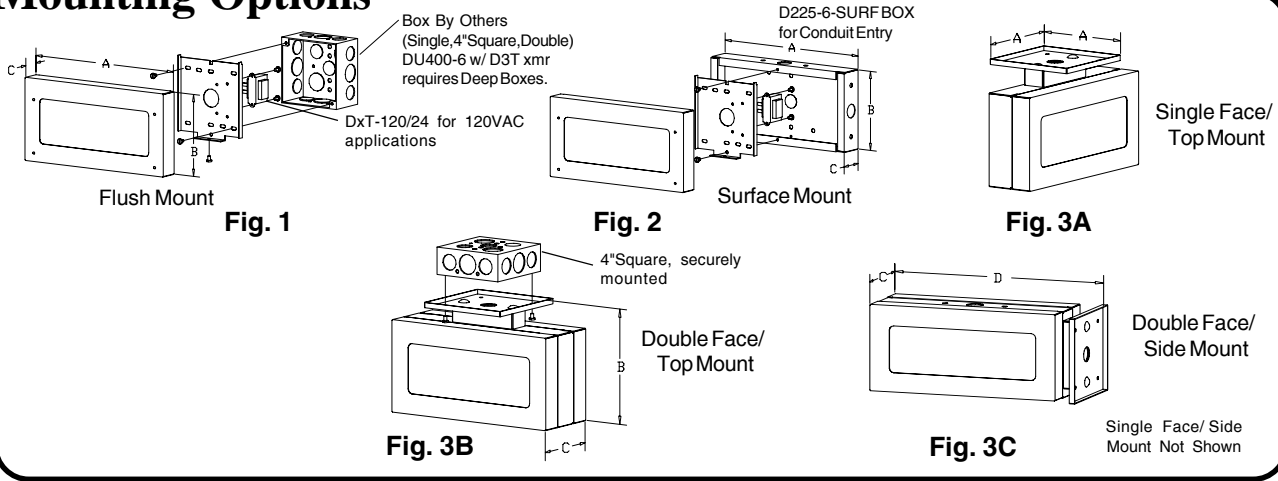
Low Power

Stand-Alone Operation

Durable Steel Housing

Plug-in Connectors

Mounting Options



Specifications

Voltage Requirements:

24VAC: Clocks will function with 24VAC standard.
120VAC: Reset circuit operates 24VAC or 120VAC. 120VAC Run power is supported with addition of these transformers:

- D2T-120/24 - Supports Single Face DU225-6
- D3T-120/24 - Supports Double Face DU225-6 or Single Face DU400-6
- D4T-120/24 - Supports Double Face DU400-6

The transformer mounts to the back of the mounting plate and extends into the surface box or electrical box. The D2T-120/24 protrudes 1.18", the D3T-120/24 protrudes 1.75", and D4T-120/24 protrudes 1.88". (May require a Deep Double Gang or Deep 4 Square backbox or the D400-6-SURF BOX.)

Correction Formats Supported:

2-Wire:

On Demand Correction: When used with National Time MC-100 Master Clock, clocks can correct to any time of day.
12 Hour Reset: An 'off' pulse (0.5 sec. minimum) at each 12:00 will reset all clocks. 24hr Clocks reset at 12:00am.

3-Wire:

National: Hour: 25 seconds each xx:00:00; 12-Hr: 25 minutes each 6:00:00.
Other: Hour: 8 seconds each xx:57:54; 12-Hr: 14 seconds each 5:57:54.
Other: Hour: 55 seconds each xx:58:05; 12-Hr: 95 seconds each odd minute from 5:05:00 to 5:23:00.
Custom: Consult Factory for growing list of supported formats.

4-Wire:

National D62/D64 Compatible: 24VAC run, 24VDC reset. 12-Hour reset: 2 second pulse each 12:00.
Stand-Alone Operation: Time set using push-buttons. Accurate timekeeping utilizing the 50/60hz 24VAC power-line. Line voltages with the addition of the appropriate DxT-120/24 transformer.

PART #	VOLTAGE	RANGE	Current*	Reset Current
DU225-6ET	24VAC	16-32VAC	40 - 152mA	10mA
	120VAC	105-132VAC	12-55mA	5mA
DU400-6ET	24VAC	16-32VAC	70-214mA	10mA
	120VAC	105-132VAC	35-76mA	5mA

*Current varies with brightness selection. Default brightness is the same as the D225 and D400 Series at 57mA and 85mA respectively.

Ordering Info

Part #	Fig	Description	Mounting	Dim A	B	C	D
DU225-6	1	2.25" DU Series 6-Digit Digital Clock with Mounting Plate	4 Square, Double, Single	13.13	5.06	1.13	-
DU400-6	1	4" DU Series 6-Digit Digital Timer with Mounting Plate	4 Square, Double, Single	21.25	7.13	1.38	-
D225-6-SURF BOX	2	DU225-6 Surface Mount Box	4 Square, Single, Wall Surface	13.13	5.06	2.63	-
D400-6-SURF BOX	2	DU400-6 Surface Mount Box	4 Square, Single, Wall Surface	21.25	7.13	3.38	-
D225-6-CORR KIT	3	D225 Corridor Conversion Kit; Side or Top Mount*	Securely mounted 4 Square	5.00	6.30	3.75	14.40
D400-6-CORR KIT	3	D400 Corridor Conversion Kit; Side or Top Mount*	Securely mounted 4 Square	5.00	8.44	4.75	22.50
D2T-120/24	-	120/24VAC Transformer for Single Face DU225-6	4 Sq, Dbl Gang, Surf/Corr. Box	-	-	-	-
D3T-120/24	-	120/24VAC Transformer for Dbl Face DU225-6/Single DU400-6	D2M Corridor Kit	-	-	-	-
D4T-120/24	-	120/24VAC Transformer for Double Face DU400-6	Deep 4 Sq, Dbl, Surf/Corr. Box	-	-	-	-

*Clocks and Transformer (if necessary) Sold Separately.

NATIONAL TIME
& SIGNAL CORPORATION

PHONE (248) 380-6264 FAX (248) 380-6268

28045 OAKLAND OAKS CT. WIXOM, MI 48393