

The NATIONAL TIME CXLP Series ceiling mount speaker and CXCLP Series strobe/speaker are designed to meet the code requirements for audio, visual and voice communications.

These series ceiling speakers provide 25 and 70.7 VRMS speaker output with field selectable power taps of 1/8W, 1/4W, 1/2W, 1W, 2W or 4W.

The CXCLP Series ceiling strobe provides a low operating current and a minimum flash rate of 1Hz across the rated input voltage range. The CXCLP candela intensity are field selectable in 15CD, 30CD, 75CD, 95CD or 115CD ratings.

The strobe component of the CXCLP Series operates from the synchronized outputs on the National Time Synchronized Series, Fire Alarm Control Panel or Notification Appliance Control Panel or from the Remote Power Supply.

The CXCLP and CXLP Series appliances are UL 464 and UL 1971 listed for use with fire protective signaling systems.

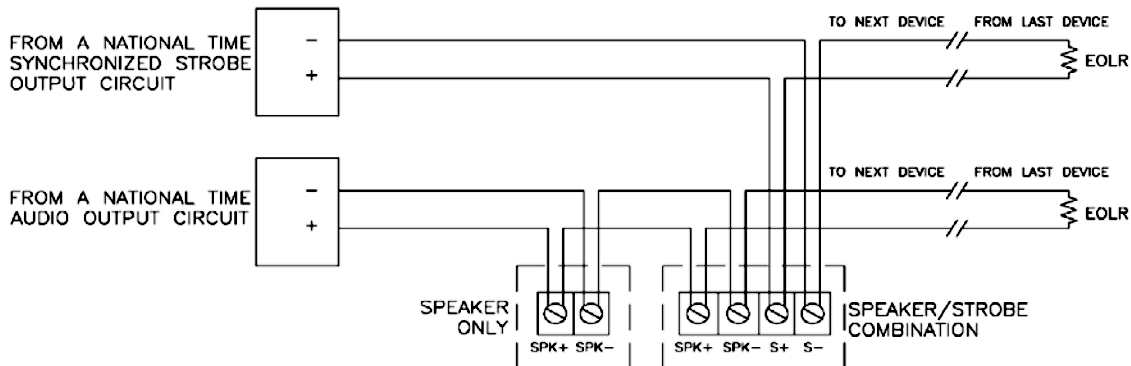


SG-CXCLPSSZ Series Shown

Features:

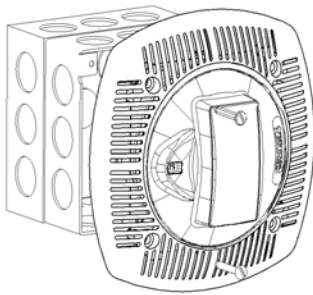
- Low Operating Current
- Easy Installation
- Tamper proof Grill
- Selectable Candela
- Selectable Voltage
- Selectable Power taps
- Terminals 12 to 18 AWG
- Strobe Synchronization
- ADA Compliant; NFPA 72
- U.L. Listed

Wiring Diagrams

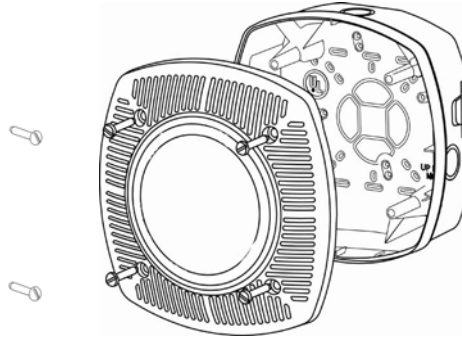


Mounting Options

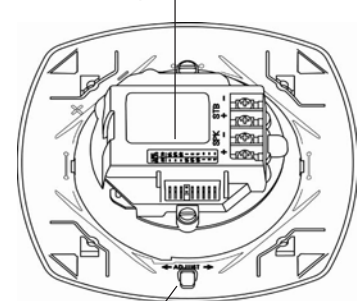
Flush mount to a 4" square x 2 1/8" backbox



Surface mount to a SG-GBLP backbox



Speaker Wattage and Voltage Selection Jumper



Turn dial for candela setting. Displayed number reflects selected candela.

Ordering Information

Model Number	Nominal Voltage	Candela	Strobe Current		Rated Watts Selection (@ 25V & 70.7V)
			24VDC	20VDC	
SG-CXCLPSSZ	24 Vdc	15	72mA	96mA	1/8, 1/4, 1/2, 1, 2, 4
SG-CXCLPSSZ	"	30	88mA	109mA	1/8, 1/4, 1/2, 1, 2, 4
SG-CXCLPSSZ	"	75	176mA	224mA	1/8, 1/4, 1/2, 1, 2, 4
SG-CXCLPSSS	"	95	200mA	259mA	1/8, 1/4, 1/2, 1, 2, 4
SG-CXCLPSSZ	"	115	214mA	287mA	1/8, 1/4, 1/2, 1, 2, 4
SG-CXLPSN	NA	--	--	--	1/8, 1/4, 1/2, 1, 2, 4

Red grill standard add suffix "-WH" for White. i.e. SG-CXCLPSSZ-WH - 24VDC Models operate from 16-33VDC - Surface mount box model number SG-GBPL

Model	Wattage Rating	dBA @ 10 Feet Per UL 1480
SG-CXCLP Series Speaker	1/8	73.7
SG-CXCLP Series Speaker	1/4	76.7
SG-CXCLP Series Speaker	1/2	79.6
SG-CXCLP Series Speaker	1	82.5
SG-CXCLP Series Speaker	2	85.4
SG-CXCLP Series Speaker	4	87.9