



The NATIONAL TIME DU Series Digital Clock/Timer offers operation and features beyond those found throughout the industry. This microprocessor based unit functions as a 6-digit 24 hour count up timer as well as a secondary clock with the intelligence to adapt to the master clock system on which it is installed. Whether it is a 3-wire synchronous system with 58th minute correction or hourly correction, a 4-wire system with AC run and DC reset, or a two wire system with actual time reset, right out of the box this clock can distinguish and accept the most popular reset formats. For those *legacy* reset formats, they can be selected from an always growing list of supported formats. This premium series also offers NATSCO's exclusive automatic dim feature that decreases the brightness to compensate for low ambient light levels useful in today's high-tech surgical suites. Nine brightness levels may be selected to satisfy the brightest locations. 12 hour or 24 hour time format is selectable at each clock as well as 50/60hz for accurate timekeeping. Heavy duty, positive-action switches on a stainless steel single-gang plate provide remote timer controls up to 50' away. Stand-alone operation without a master clock is also made possible using the remote timer switches (order separately model DU-ET-CTRL). 24VAC units are available in attractive 4" or 2.25" high visibility, wide-bar digits. Digits are epoxy filled and sealed to provide the longevity you have come to expect from National Time and Signal. Compatible with 120VAC powered systems or stand-alone using local power when the appropriate 24VAC transformer is mounted at each clock or double face unit. The durable steel housing, plug-in connectors and universal mounting plate simplify installation. An optional low profile surface box allows for surface mounted conduit entry. Powder grey finish standard, other colors upon request.

FEATURES

**Specifically Designed for
Today's High-Tech Surgical
Suites**

**Exclusive Auto-Dim Brightness
Adjustment**

9 Brightness Levels

Clock System Compatible

Automatic format detection

2, 3 or 4-Wire Compatibility

24VAC or 120VAC Operation

Stand-Alone Operation

Clock/Timer Selector Switch

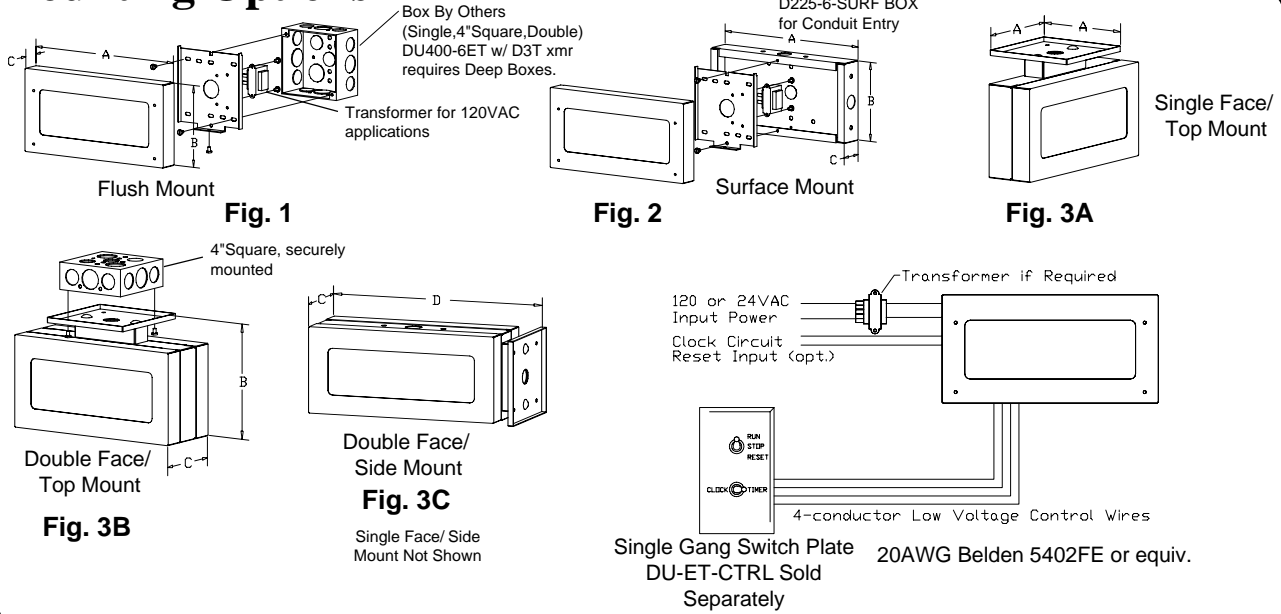
Long-Life Epoxy Sealed Display

50hz or 60hz Timekeeping

Durable Steel Housing

Plug-in Connectors

Mounting Options



Specifications

Voltage Requirements:

24VAC: Clocks will function with 24VAC standard.
120VAC: Reset circuit operates 24VAC or 120VAC.
 120VAC Run power is supported with addition of these transformers:

- D2T-120/24 - Supports Single Face DU225-6ET
- D3T-120/24 - Supports Double Face DU225-6ET or Single Face DU400-6ET
- D4T-120/24 - Supports Double Face DU400-6ET

The transformer mounts to the back of the mounting plate and extends into the surface box or electrical box. The D2T-120/24 protrudes 1.18", the D3T-120/24 protrudes 1.75", and D4T-120/24 protrudes 1.88". (May require a Deep Double Gang or Deep 4 Square backbox or the D400-6-SURF BOX.)

Clock Correction Formats Supported:

2-Wire:

On Demand Correction: When used with National Time MC-100 Master Clock, clocks can correct to any time of day.

12 Hour Reset: An 'off' pulse (0.5 sec. minimum) at each 12:00 will reset all clocks. 24hr Clocks reset at 12:00am.

3-Wire:

National: Hour: 25 seconds each xx:00:00; 12-Hr: 25 minutes each 6:00:00.

Other: Hour: 8 seconds each xx:57:54; 12-Hr: 14 seconds each 5:57:54.

Custom: Consult Factory for growing list of supported formats.

4-Wire:

National D62/D64 Compatible: 24VAC run, 24VDC reset. 12-Hour reset: 2 second pulse each 12:00.

Stand-Alone Operation: Time set using remote switches. Accurate timekeeping utilizing the 50/60hz 24VAC power-line. 120VAC line voltages with the addition of the appropriate DxT-120/24 transformer.

PART #	VOLTAGE	RANGE	Current*	Reset Current
DU225-6ET	24VAC	16-32VAC	40 - 152mA	10mA
	120VAC	105-132VAC	12-55mA	5mA
DU400-6ET	24VAC	16-32VAC	70-214mA	10mA
	120VAC	105-132VAC	35-76mA	5mA

*Current varies with brightness selection. Default brightness setting of '4' is 80mA and 112mA for the DU225-6ET and DU400-6ET respectively.

Ordering Info

Part #	Fig	Description	Mounting	Dim A	B	C	D
DU225-6ET	1	2.25" Digital Timer/Clock with Mounting Plate	4 Square, Double, Single	13.13	5.06	1.13	-
DU400-6ET	1	4" Digital Timer/Clock with Mounting Plate	4 Square, Double, Single	21.25	7.13	1.38	-
DU-ET-CTRL	-	Remote Switch Controls for Digital Elapsed Timers	Single Gang Box	-	-	-	-
D225-6-SURF BOX	2	DU225-6 Surface Mount Box	4 Square, Single, Wall Surface	13.13	5.06	2.63	-
D400-6-SURF BOX	2	DU400-6 Surface Mount Box	4 Square, Single, Wall Surface	21.25	7.13	3.38	-
D225-6-CORR KIT	3	D225 Corridor Conversion Kit; Side or Top Mount*	Securely mounted 4 Square	5.00	6.30	3.75	14.40
D400-6-CORR KIT	3	D400 Corridor Conversion Kit; Side or Top Mount*	Securely mounted 4 Square	5.00	8.44	4.75	22.50
D2T-120/24	-	120/24VAC Transformer for Single Face DU225-6	4 Sq, Dbl Gang, Surf/Corr. Box	-	-	-	-
D3T-120/24	-	120/24VAC Transformer for Dbl Face DU225-6/Single DU400-6	D2M Corridor Kit	-	-	-	-
D4T-120/24	-	120/24VAC Transformer for Double Face DU400-6	Deep 4 Sq, Dbl, Surf/Corr. Box	-	-	-	-

*Clocks and Transformer (if necessary) Sold Separately.

NATIONAL TIME
& SIGNAL CORPORATION

PHONE (248) 380-6264 FAX (248) 380-6268

28045 OAKLAND OAKS CT. WIXOM, MI 48393