

Are you tired of searching various manufacturers to locate a clock that is compatible with your clock system? For those who desire a clock series that they can install on most any system with confidence, NATIONAL TIME has the answer. The NATIONAL TIME DU Series Digital Clock offers operation and features beyond those found throughout the industry. This microprocessor based secondary clock has the intelligence to adapt to the system on which it is installed. Not only does the DU series do everything the other National series digital clocks can, it can do so much more. Whether it is a 3-wire synchronous system with 58th minute correction or hourly correction, a 4-wire system with AC run and DC reset, a two wire system with actual time reset, or one you haven't seen for years... this is the clock for you. Right out of the box, this clock can distinguish and accept the most popular reset formats. For those legacy reset formats, they can be selected from an always growing list of supported formats. This premium series also offers NATSCO's exclusive automatic dim feature that decreases the brightness to compensate for low ambient light levels associated with artistic and video productions. This not only provides a pleasant brightness level, but also saves energy during nighttime hours. Nine brightness levels may be selected to satisfy the brightest locations. 12 hour or 24 hour time format is selectable at each clock as well as 50/60hz for accurate timekeeping. Stand-alone operation without a master clock is also made possible using the included time setting buttons. 24VAC units are available in attractive 4" or 2.25" high visibility, wide-bar digits. Compatible with 120VAC powered systems when the appropriate 24VAC transformer is mounted at each clock or double face unit.

The durable steel housing, plug-in connectors and universal mounting plate simplify installation. An optional low profile surface box allows for surface mounted conduit entry. Powder grey finish standard, other colors upon request.

**DU225 Digital Clock**

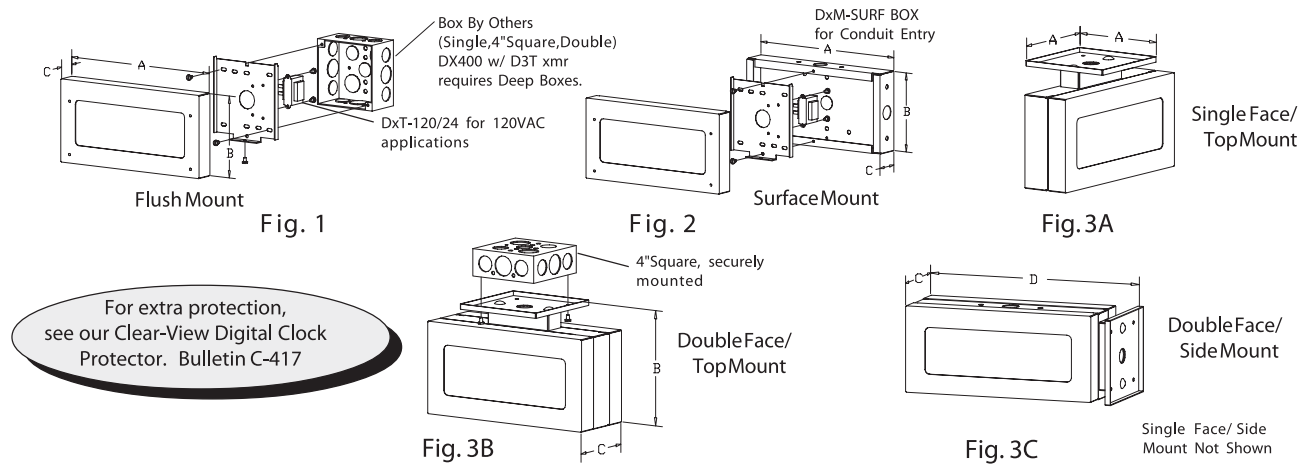


**DU400 Digital Clock**  
Shown with Corridor Kit

## Features:

- Supports Many Reset Formats
- Analog Clock Compatible
- Automatic format detection
- 2,3 or 4 Wire Compatibility
- 24VAC or 120VAC Operation
- Long-Life Epoxy Sealed Display
- Auto-Dim Feature for Theatrical, Video, and Artistic Productions
- 9 Brightness Levels
- 12/24-hr Display Format
- 50hz or 60hz Timekeeping
- Low Power
- Stand-Alone Operation
- Durable Steel Housing
- Plug-in Connectors

## Mounting Options



## Specifications

### Voltage Requirements:

**24VAC:** Clocks will function with 24VAC standard.

**120VAC:** Reset circuit operates 24VAC or 120VAC.

120VAC Run power is supported with addition of these transformers:

D2T-120/24 - Supports Single Face DU225

D3T-120/24 - Supports Double Face DU225 or Single Face DU400

D4T-120/24 - Supports Double Face DU400

The transformer mounts to the back of the mounting plate and extends into the surface box or electrical box. The D2T-120/24 protrudes 1.18", the D3T-120/24 protrudes 1.75", and D4T-120/24 protrudes 1.88". (May require a Deep Double Gang or Deep 4 Square back box or the D400-SURF BOX.)

### Correction Formats Supported:

**2-Wire: On Demand Correction:** When used with National Time MC-100 Master Clock, clocks can correct to any time of day.

**12 Hour Reset:** An 'off' pulse (0.5 sec. minimum) at each 12:00 will reset all clocks. 24hr Clocks reset at 12:00am.

**3-Wire: National:** Hour: 25 seconds each xx:00:00; 12-Hr: 25 minutes each 6:00:00.

**Other:** Hour: 8 seconds each xx:57:54; 12-Hr: 14 seconds each 5:57:54.

Custom: Consult Factory for growing list of supported formats.

**4-Wire: National D62/D64 Compatible:** 24VAC run, 24VDC reset. 12-Hour reset: 2 second pulse each 12:00.

**Stand-Alone Operation:** Time set using push-buttons. Accurate timekeeping utilizing the 50/60hz 24VAC power-line. Line voltages with the addition of the appropriate DxT-120/24 transformer.

Part No.	Voltage	Range	Current*	Reset Current
DU225	24VAC	16-32VAC	25 - 97mA	3mA
	120VAC	105-132VAC	10-35mA	18mA
DU400	24VAC	16-32VAC	30-154mA	3mA
	120VAC	105-132VAC	25-55mA	18mA

\*Current varies with brightness selection. Default brightness is the same as the D225 and D400 Series at 57mA and 85mA respectively.

## Ordering Information

Part No.	Fig	Description	Mounting	Dim A	B	C	D
DU225	1	2.25" Digital Clock with Mounting Plate	4 Square, Double, Single	10.13	5.06	1.13	--
DU400	1	4" Digital Clock with Mounting Plate	4 Square, Double, Single	16.88	7.13	1.38	--
D225-SURF BOX	2	Surface Mount Box for DU225	4 Square, Single, Wall Surface	10.13	5.06	2.63	--
D400-SURF BOX	2	Surface Mount Box for DU400	4 Square, Single, Wall Surface	16.88	7.13	3.38	--
D225-CORR KIT	3	DX225 Corridor Conversion Kit; Side or Top Mount*	Securely mounted 4 Square	5.00	6.30	3.75	11.40
D400-CORR KIT	3	DX400 Corridor Conversion Kit; Side or Top Mount*	Securely mounted 4 Square	5.00	8.44	4.75	18.20
D2T-120/24	--	120/24VAC xfmr for Single Face DX225	4 Sq, Dbl Gang, Surf/Corr. Box	--	--	--	--
D3T-120/24	--	120/24VAC xfmr for Dbl Face DU225/Single DX400	D225 Corr Kit/Deep 4 Sq.	--	--	--	--
D4T-120/24	--	120/24VAC Transformer for Double Face DU400	D400 Corridor Kit	--	--	--	--