

The NATIONAL TIME Executive Series Digital Clock offers features beyond those of the industry standard. This new microprocessor based secondary clock and the MC-100 Master Clock form a unique time keeping system offering on demand time correction. This digital communication format can provide power and instantly correct all secondary clocks to any time of day using only two conductor low voltage wire. This premium series also offers an exclusive automatic dim feature that decreases the brightness to compensate for low ambient light levels. This not only provides a pleasant brightness level but also saves energy during nighttime hours. Nine brightness levels may be selected to satisfy the brightest locations. 12 hour or 24 hour time format is selectable at each clock as well as 50/60hz for accurate timekeeping. Stand-alone operation without a master clock is also made possible using the included time setting buttons. 24VAC units are available in attractive 4" or 2.25" high visibility, wide-bar digits. For extremely long wire runs, 120VAC power and communication may be transmitted by the Master Clock when the appropriate 24VAC transformer is mounted at each clock or double face unit. For systems not utilizing National's Master Clocks, 12-hour resets may be accomplished with a short power interruption each 12:00.

The durable steel housing, plug-in connectors and universal mounting plate simplify installation. An optional low profile surface box allows for surface mounted conduit entry. The corridor conversion kit will support top or side mounting, single or double face. Powder grey finish standard, other colors upon request.

DX225 Digital Clock

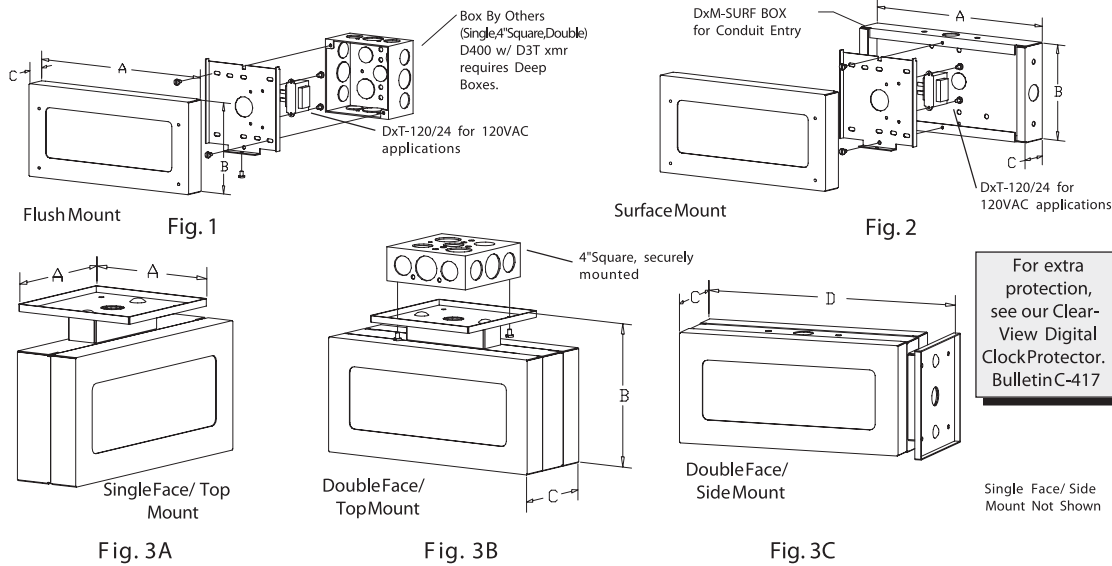


DX400 Digital Clock
Shown with Corridor Kit

Features:

- On-Demand Correction
- 2-Wire Operation
- Aesthetic, Architectural Auto-Dim Feature
- 9 Brightness Levels
- 12/24-hr Display Format
- 50hz or 60hz Timekeeping
- Long-Life Sealed Displays
- Low Power
- Stand-Alone Operation
- Durable Steel Housing
- Plug-in Connectors

Mounting Options



Specifications

Voltage Requirements:

Clocks will function with 24VAC with no modifications.
 120VAC is supported with addition of these transformers:
 D2T-120/24 - Supports Single Face DX225
 D3T-120/24 - Supports Double Face DX225 or Single Face DX400
 D4T-120/24 - Supports Double Face DX400

The transformer mounts to the back of the mounting plate and extends into the surface box or electrical box. The D2T-120/24 protrudes 1.18"; the D3T-120/24 protrudes 1.75"; and D4T-120/24 protrudes 1.88" (May require a Deep Double Gang or Deep 4 Square back box or the D400-SURF BOX.)

Correction Formats Supported:

On Demand Correction: When used with National Time MC-100 Master Clock, clocks can correct to any time of day. Only 2 low voltage wires required.

12 Hour Reset: An 'off' pulse (0.5 sec. min) at each 12:00 will reset all clocks. 24hr Clocks reset at 12:00am.

Stand-Alone Operation: Time set using push buttons. Accurate timekeeping utilizing the 50/60hz 24VAC power-line. Line voltages with the addition of the appropriate DxT-120/24 transformer.

Part No.	Voltage	Range	Current
D225	24VAC	16-32VAC	57mA
	120VAC	105-132VAC	15mA
D400	24VAC	16-32VAC	85mA
	120VAC	105-132VAC	30mA

*Current varies with brightness selection. Default brightness is the same as the D225 and D400 Series at 57mA and 85mA respectively.

Ordering Information

Part No.	Fig	Description	Mounting	Dim A	B	C	D
DX225	1	2.25" Digital Clock with Mounting Plate	4 Square, Double, Single	10.13	5.06	1.13	--
DX400	1	4" Digital Clock with Mounting Plate	4 Square, Double, Single	16.88	7.13	1.38	--
D225-SURF BOX	2	Surface Mount Box for DX225	4 Square, Single, Wall Surface	10.13	5.06	2.63	--
D400-SURF BOX	2	Surface Mount Box for DX400	4 Square, Single, Wall Surface	16.88	7.13	3.38	--
D225-CORR KIT	3	DX225 Corridor Conversion Kit; Side or Top Mount*	Securely mounted 4 Square	5.00	6.30	3.75	11.40
D400-CORR KIT	3	DX400 Corridor Conversion Kit; Side or Top Mount*	Securely mounted 4 Square	5.00	8.44	4.75	18.20
D2T-120/24	--	120/24VAC xfmr for Single Face DX225	4 Sq, Dbl Gang, Surf/Corr. Box	--	--	--	--
D3T-120/24	--	120/24VAC xfmr for Dbl Face DX225/Single DX400	D225 Corr Kit/Deep 4 Sq.	--	--	--	--
D4T-120/24	--	120/24VAC Transformer for Double Face DX400	D400 Corridor Kit	--	--	--	--