

The NATIONAL TIME C4 Synchronized Series is a ceiling mount strobe or horn/strobe combination that offers dependable audible and visual alarms.

The C4 Series horns provide selections for high/low dBA, continuous/code 3 temporal horn as well as selections of high frequency tone or mechanical tone. The low dBA selection will reduce horn output dBA and is used in environments with low ambient noise levels. The high frequency (2400 Hz) selection is recommended for use in remote signal applications. The low frequency (factory) selection is recommended for use in evacuation signaling application. The C4 Series horns are factory shipped for code 3 temporal selection. The C4 Series strobe provides a low operating current and a minimum flash rate of 1Hz throughout the rated input voltage range. The candela intensity is field selectable with settings of 15CD, 30CD, 75CD, 95CD or 115CD using a convenient dial selector.

The C4 Series easy slide mounting system provides convenient installation and device testing operation. The C4 Series operates from the synchronized outputs on the National Time Synchronized Series, Fire Alarm Control Panel or Notification Appliance Control Panel or from the Remote Power Supply providing individual synchronized horn and strobe operation on the same 2 wires.

The C4 Synchronized Series comes standard with a mounting plate. The mounting plate will mount to a 4" square box, a 2-gang masonry box, a 2-gang switch box, a single gang masonry box, a single gang switch box or 4" octagon box.

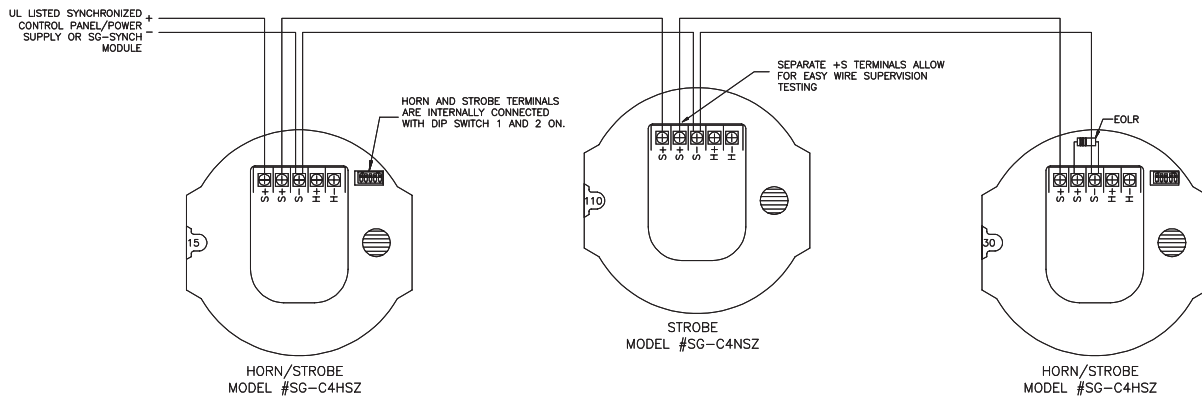
The C4 Synchronized Series appliances are UL 1971 listed for use with fire protective systems.



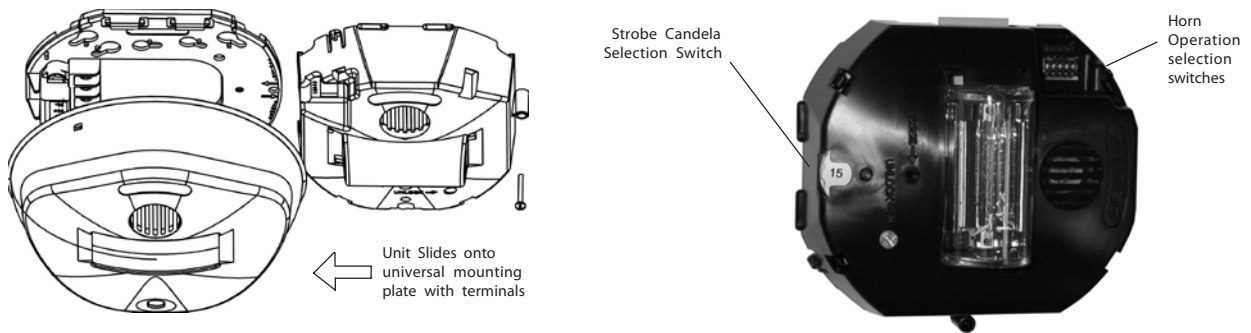
## Features:

- Low Operating Current
- Easy Installation - Ceiling Mount
- Convenient Test Operation
- Tamper proof Re-Entrant Grill
- High/Low dB Selection
- High/Low Frequency Selection
- Continuous or Temporal Selection
- Selectable Candela Intensity
- Wide Voltage Range
- Input Terminals 12 to 18 AWG
- Strobe/Horn Synchronization
- Individual Horn/Strobe Operation on 2 Wires
- ADA Compliant; NFPA 72
- U.L. Listed

## Wiring Diagrams



## Mounting Options



## Ordering Information

Model Number	Nominal Voltage	Candela	Strobe Current		Horn Current		Anechoic Room @10 ft.
			24VDC	20VDC	24VDC	20VDC	
SG-C4NSZ	24 Vdc	15	75mA	90mA	--	--	--
"	"	30	110mA	133mA	--	--	--
"	"	75	220mA	297mA	--	--	--
"	"	95	245mA	337mA	--	--	--
"	"	115	275mA	379mA	--	--	--
SG-C4NSZ	24 Vdc	15	75mA	90mA	21mA	--	100dB
"	"	30	110mA	133mA	21mA	--	100dB
"	"	75	220mA	297mA	21mA	--	100dB
"	"	95	245mA	337mA	21mA	--	100dB
"	"	115	275mA	379mA	21mA	--	100dB

When ordering, please specify style by adding the following to the end of the model number: "-WH" = White Faceplate  
24VDC Models operate from 16 -33VDC