

NATIONAL TIME offers a digital clock with speaker combination enclosure to house an 8" speaker and D/ DX/DU225 series digital clocks. This new microprocessor based secondary clock and the MC-100 Master Clock form a unique time keeping system offering on demand time correction. This digital communication format can power and instantly correct all secondary clocks to any time of day using only two conductor low voltage wire. This format eliminates expensive 120v/24v power feeds as well as costly battery replacement. Popular synchronous clock reset formats (hour and 12 hour) are also supported to facilitate 'drop-in' replacements and retrofits. 24VAC/DC, and 120VAC units are available in attractive 2.25" high visibility, wide-bar digits.

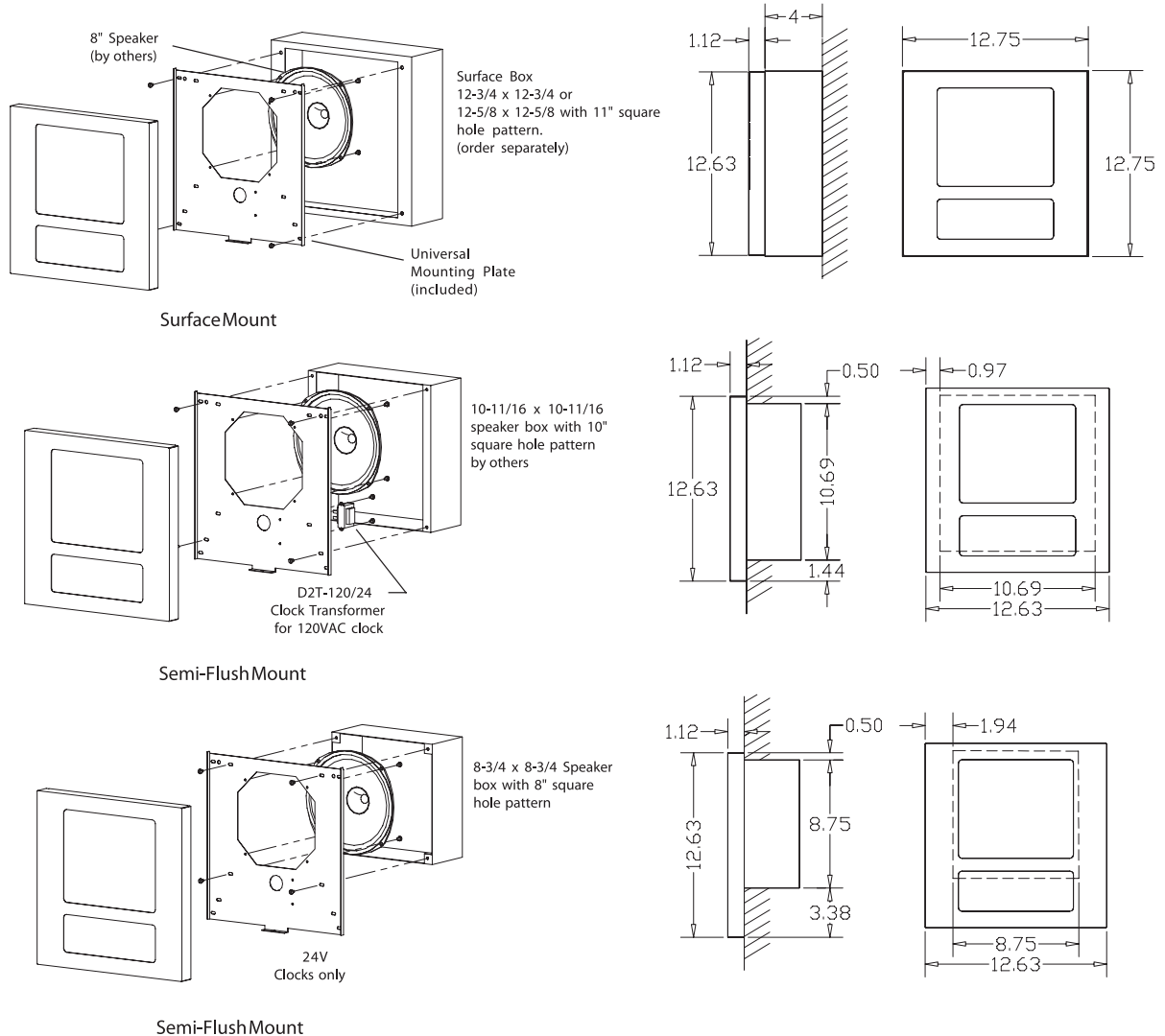
The durable steel housing incorporates a universal mounting plate which securely mounts the 8" speaker (not included) and utilizes the same holes as standard speaker bezels with holes on 11", 10", or 8" centers. The clock/ speaker semi-flush housing completely encloses the digital clock and mounts proud of the backbox to facilitate the use of standard speaker boxes for 24V clock applications. For 120VAC clock installations, the backbox must accommodate the D2T-120/24 transformer. See Mounting Options figures. Powder grey finish with black speaker grill standard. The removable speaker grill could also accommodate custom fabrics. Other colors upon request.



Features:

- National Time's On-Demand Correction
- Durable Steel Housing
- Speaker Enclosure Compatibility
- Low Power Consumption
- High Visibility
- Microprocessor Based
- Hour & 12 Hour Correction
- Universal Compatibility

Mounting Options



Will also mount to other acoustic speaker boxes matching these hole patterns.

Ordering Information

Part No.	Description
D225-C/S	2.25" D225 Digital Clock with Clock/Speaker Mounting Plate
DX225-C/S	2.25" DX225 Digital Clock with Clock/Speaker Mounting Plate
DU225-C/S	2.25" DU225 Digital Clock with Clock/Speaker Mounting Plate
DC/S-SURF BOX	Surface Mnt. Digital Clock/Speaker Box 12-5/8" x 12-5/8" x 4"
DC/S-FLUSH BOX	Flush Mnt. Digital Clock/Speaker Box 11-5/8" x 11-5/8" x 4"
D2T-120/24	120/24VAC Transformer for D/DX/DU225 Digital Clock

Refer to Bulletins C-419, C-420, C-421 For Clock Details