

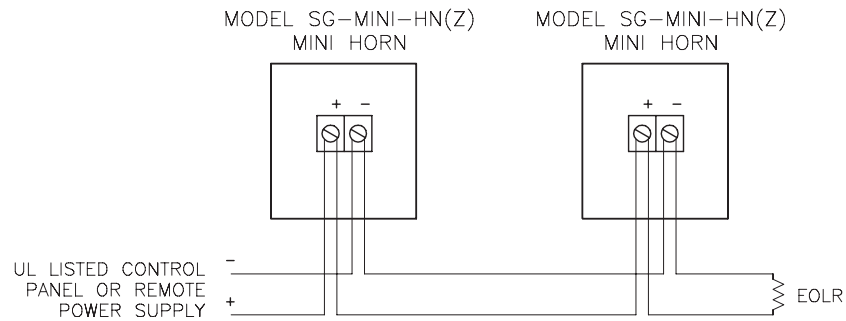
The NATIONAL TIME Mini Horns are high quality signaling devices that offer dependable remote signaling. Two signaling models are provided. The SG-MINI-HNZ Mini Horn provides both continuous or code 3 temporal evacuation tone operation. The selection of the on device jumper will provide a synchronized code 3 temporal operation, when used in conjunction with the National Time synchronized Notification Appliance Circuit (NAC) outputs. The removal of the jumper will provide continuous tone operation when powered from a NAC delivering a continuous power output. The SG-MINI-HN Mini Horn provides continuous tone operation only. The Mini Horn series is UL listed.



Features:

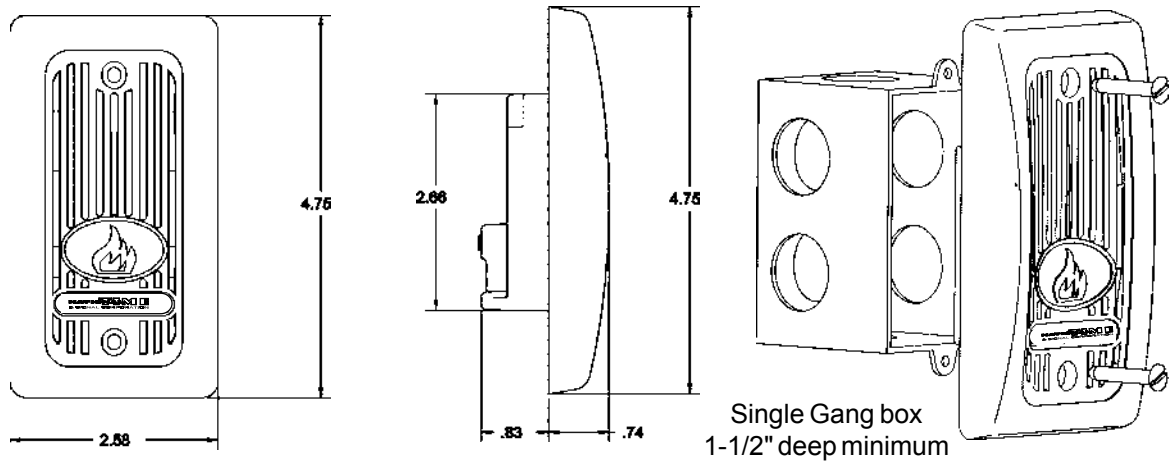
- Selectable code 3 temporal or continuous tone
- Low Operating Current
- Screw Terminal Blocks (Up to 12AWG)
- Available in Red or Off White
- U.L. Listed

Wiring Diagrams



Note: "Z" Series Devices are powered from synchronized NAC output circuits

Mounting Options



Ordering Information

| Model Number | 24VDC | 20VDC | Anechoic Room dBA @ 10 Ft. | UL Reverberant Room dBA @ 24 Vdc |
|--------------|-------|-------|-------------------------------|-------------------------------------|
| SG-MINI-HN | 15mA | 10mA | 90 | 85 |
| SG-MINI-HNZ | 22mA | 15mA | 90 | 81* |

Off white models, add "-WH" to the model number when ordering i.e. SG-MINI-HNZ-WH.