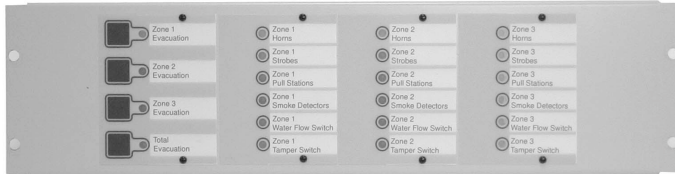


Shown: A900-LA



Shown: A902-LA



Shown: D900-RA

FEATURES

Addressable *DigiComm*[™]
Annunciator

Low Power Consumption

Local and/or Remote
Annunciation

Multi-color Annunciation of
Single Led Display Point

Flexible System Layout

Programmable Switch Control

Graphic Interface

U.L. Listed

The NATIONAL TIME D900 Series Addressable *DigiComm*[™] Led Annunciator and Switch Control modules are designed to meet the needs of your increasing display and control requirements. The *DigiComm*[™] Switch Control modules provide programmable push button Fire Alarm on/off control switches for a multitude of Fire Alarm features. The push button switches have multi-color LEDs to identify the appropriate switch function. Push button switches are available on the D900-A8S (8 switch) and the D900-A4S6L (4 switches).

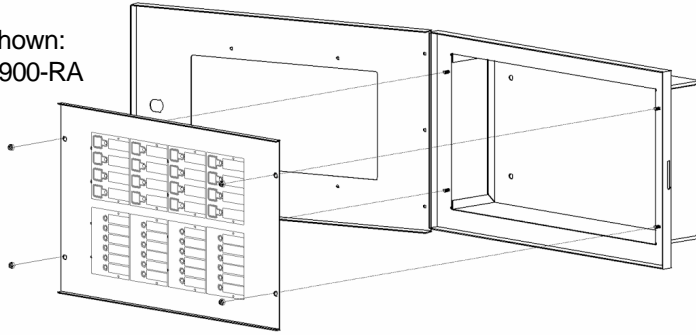
The *DigiComm*[™] Led Annunciator modules provide multi-color (red, amber or green) zone LEDs that can be programmed for alarm, supervisory, trouble, monitor and output activation display operation. The zone LEDs are available on the D900-A12L (12 multi-color LEDs) and the D900-A4S6L (6 multi-color LEDs).

The *DigiComm*[™] Led Annunciator and Switch Control modules provide protective legend pockets allowing for customized switch and led identification. The powerful *DigiComm*[™] communication protocol enables reliable and accurate information to be exchanged between the Addressable *DigiComm*[™] Led Annunciator, Switch Control modules and the Fire Alarm Control Panel. The *DigiComm*[™] communication protocol meets style 4, 6 and 7 operation.

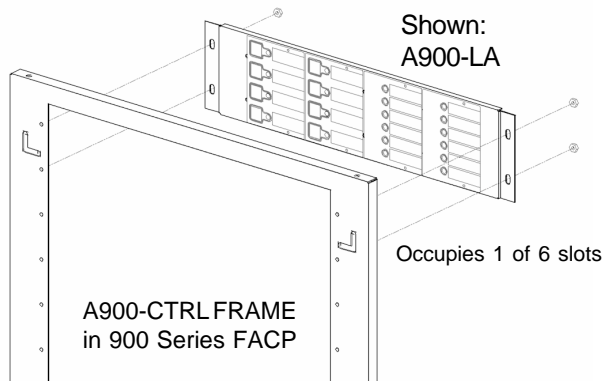
The *DigiComm*[™] Led Annunciator and Switch Control modules mount to: 1) the A902-LA face plate which mounts to the 902 FACP enclosure frame, 2) the A900-LA face plate which mounts to the 900 FACP control frame and 3) the D900-RA Series enclosure face plate. The *DigiComm*[™] Led Annunciator and Switch Control modules can be utilized for custom graphic applications.

Mounting Options

Shown:
D900-RA

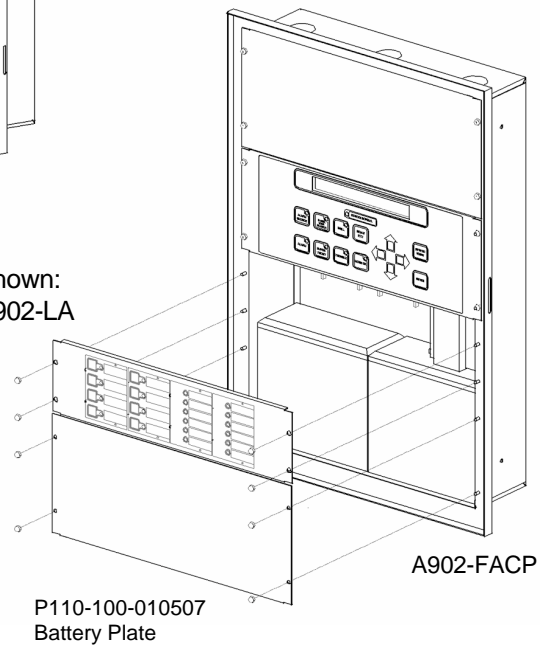


Shown:
A900-LA



Occupies 1 of 6 slots

Shown:
A902-LA



A902-FACP

Models

Housings

A900-LA: 900 Series Fire Alarm Annunciator Plate, houses two of the modules listed below.

D900-RA: 900 Series Remote Annunciator Cabinet, houses four of the modules listed below.

A902-LA: 902 Series Fire Alarm Annunciator Plate (requires P110-100-010507 Battery Plate), houses two of the modules listed below.

Modules

D900-A8S: 8 Switch Control Module

D900-A12L: 12 LED Display Module

D900-A4S6L: 4 Switch, 6 LED Module

D900-BLANK: Blank Cover Overlay

Specifications

Primary Power: 24 VDC Nominal

24 Vdc Alarm Current: 10 mA plus 2 mA per led

DigiComm™ Alarm Current: 0.5 mA

24 Vdc Suprv. Current: 10 mA

DigiComm™ Suprv. Current: 0.5 mA

DigiComm™ Wiring: Style 4, 6 or 7 Communication

Max. Temp. Range: 32° - 120°F (0 - 49°C)

Humidity: 85% Non-condensing max.

Dimensions: 14.5"W x 8"H x 4"D (D900-RA)

NATIONAL
& SIGNAL CORPORATION

28045 OAKLAND OAKS CT. WIXOM, MI 48393

PHONE (248) 380-6264 FAX (248) 380-6268