

SG-SYNCH

The NATIONAL TIME Synchronization Module is designed to provide an easy way to synchronize multiple horns as well as strobe light flashes using only 2 wires. The control module has the capability to synchronize multiple horn signals with a Temporal pattern and the ability to silence the horn while allowing the strobes to continue to flash.

## FEATURES

Works With National Time AV Series  
Version (Z) Horns and Strobes

Horn and Strobes Synchronized Using  
Only 2 Wires

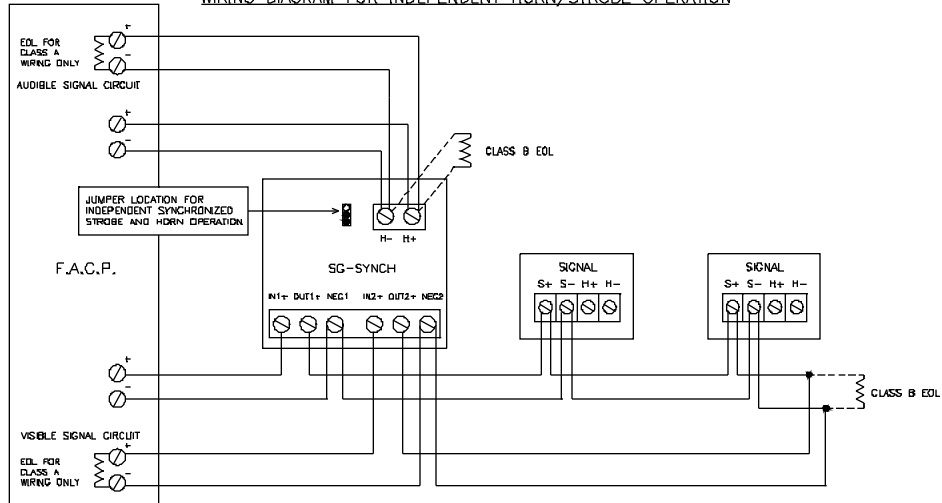
Silences Horns While Strobes Continue to  
Flash

Constant Xenon Strobe Flash Rate (1Hz)

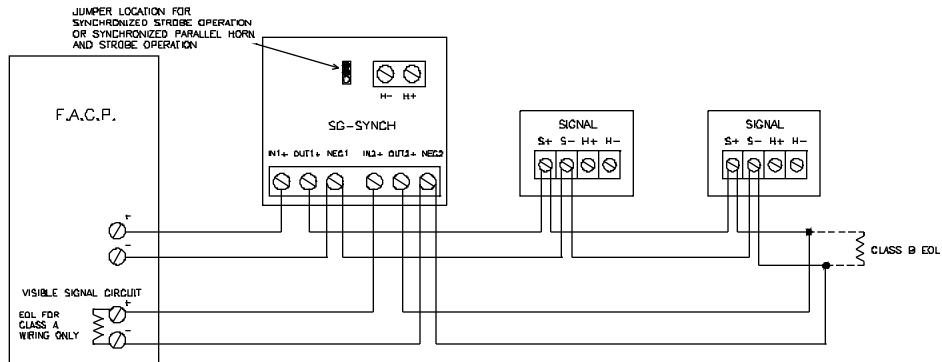
ADA Compliant; U.L. Listed

# Wiring Diagrams

WIRING DIAGRAM FOR INDEPENDENT HORN/STROBE OPERATION



WIRING DIAGRAM FOR UNISON HORN/STROBE OPERATION



Model Number	Nominal Voltage	Current (mA)
SG-SYNCH	21VDC	7
	24VDC	8
	30VDC	9
	21VFWR	7
	24VFWR	8
	30VFWR	9

