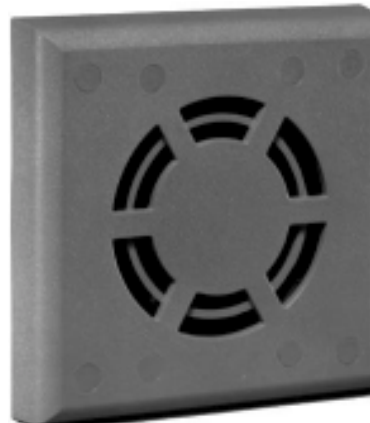




Shown SG-EHS1575



Shown SG-EHN24

The NATIONAL TIME 4" AV Electronic Horn and Horn/Strobes exceed code requirements for supervised fire alarm systems for the hearing impaired.

These are quality signaling appliances that offer you both dependable evacuation signals and visual alarms by means of screw terminal wiring connections.

By removing two jumpers, the AV Electronic signaling devices can be wired so horns and strobes operate independently.

The AV Electronic series are easily changeable from a Code 3 Temporal signal to a continuous low frequency signal by removal of a jumper.

The AV Electronic series appliances are UL 464/1971 listed for use with fire protective systems.

FEATURES

Low Frequency Output

Low Operating Current

Separate In/Out Screw Terminals (12 ga.)

Separate Horn and Strobe Functions

2 Wire Horn Silence/Continued Strobe

Operation via SG-SYNCH Module.

Synchronized Strobe Version (Z)

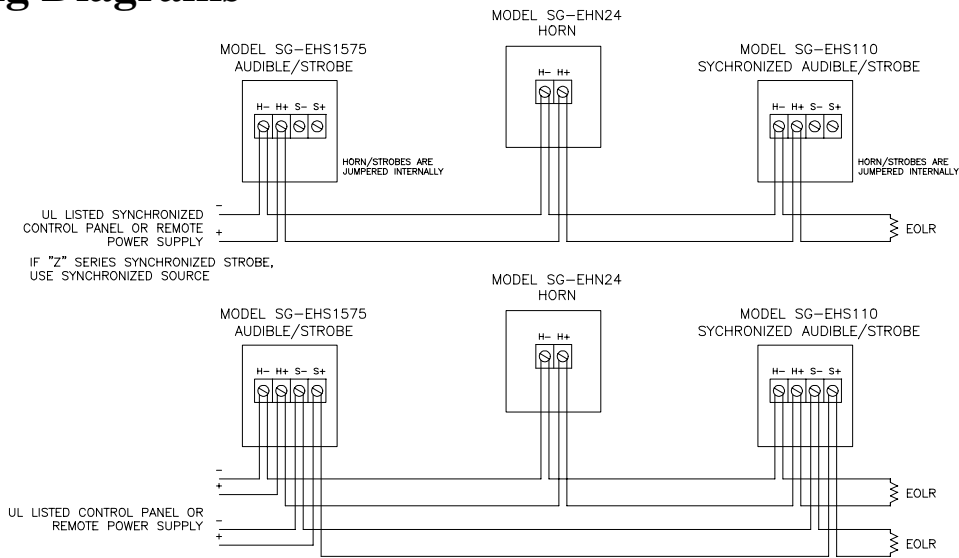
Constant Xenon Strobe Flash Rate (1Hz)

Flush/Semi-Flush Mount w/o Trim Plate

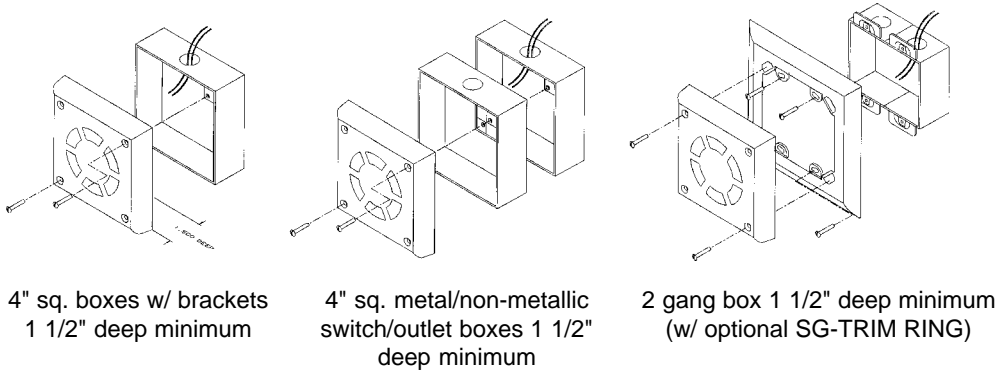
ADA Compliant; NFPA 72

U.L. Listed

Wiring Diagrams



Mounting Options



Model Number	Nominal Voltage	Candela	Horn Rated Current		Strobe Rated Current		In Anechoic Room @ 10 ft.
			24VDC	20VDC	24VDC	20VDC	
SG-EHN24	12/24VDC	--	30mA	21mA	--	--	100
SG-EHS110	24VDC	110	30mA	21mA	220mA	240mA	95
SG-EHS1575	24VDC	15/75	30mA	21mA	93mA	105mA	95
SG-EHS1575C	24VDC	15/75	30mA	21mA	115mA	130mA	95
SG-EHS1575Z	24VDC	15/75	30mA	21mA	130mA	144mA	95
SG-EHS15	24VDC	15	30mA	21mA	78mA	86mA	95
SG-EHS30	24VDC	30	30mA	21mA	93mA	105mA	95
SG-EHS3075	24VDC	30/75	30mA	21mA	142mA	165mA	95
SG-EHS60	24VDC	60	30mA	21mA	115mA	130mA	95

When ordering, please specify style by adding the following to the end of the model number: "WH" = White Faceplate

NATIONAL TIME & SIGNAL CORPORATION

*24VDC Models operate from 16-33VDC

PHONE (248) 380-6264 FAX (248) 380-6268

28045 OAKLAND OAKS CT. WIXOM, MI 48393