

The NATIONAL TIME 902-RPS Remote Power Supply is designed to meet the needs of your increasing system power requirements. The 902-RPS provides two style Y or Z conventional Notification Appliance Circuit (NAC) rated for a total of 5 amps. The 24 VDC auxiliary power output provides flexibility for system applications. The two input control circuits direct the activation of the two NAC output circuits. The two input control circuits are activated by way of a reverse polarity or dry contact means. The 902-RPS trouble relay provides polarized or dry contact outputs. The 902-RPS (with standard firmware) provides three available evacuation rates selectable on a per circuit bases: continuous, march time and temporal.

The 902-RPS is capable of synchronized horn (temporal) and strobe operation directly from the 902-RPS without the need of a synchronization module. This provides horn (temporal) and strobe synchronization with independent control (alarm silence capability) on the same pair of wires. Order A900-SYNCH control firmware along with the 902-RPS for your NAC synchronization requirements.

FEATURES

5 Amps of Notification Appliance Power

2 Notification Appliance Circuits

Synchronized Horn/Strobe Operation on 2 Wires

Silence Horns with Strobes Operating on 2 Wires

24 Volt Auxiliary Power Output

Trouble Contacts

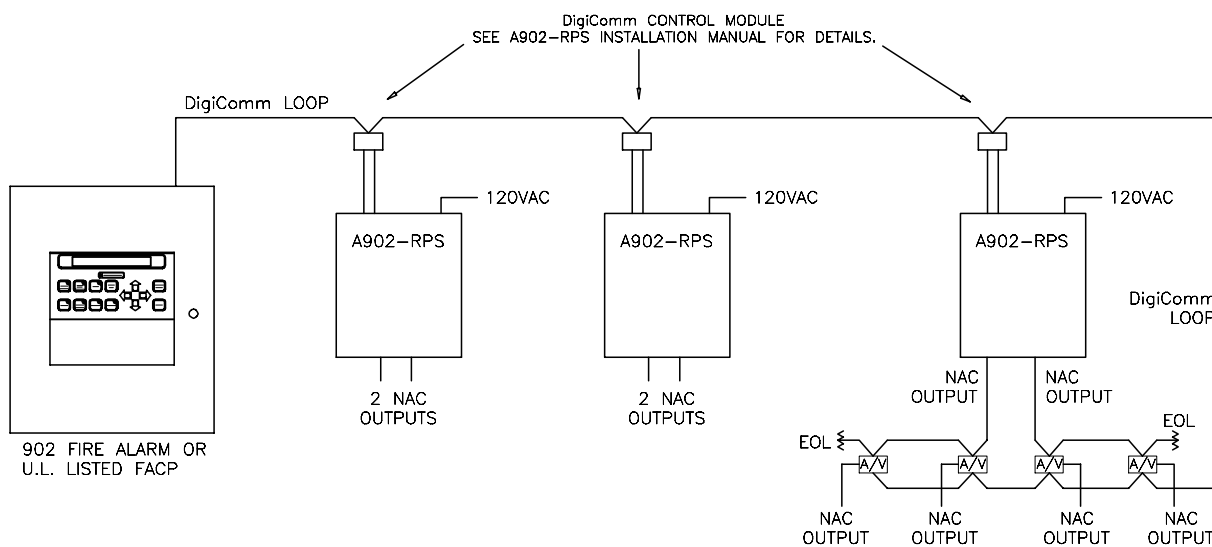
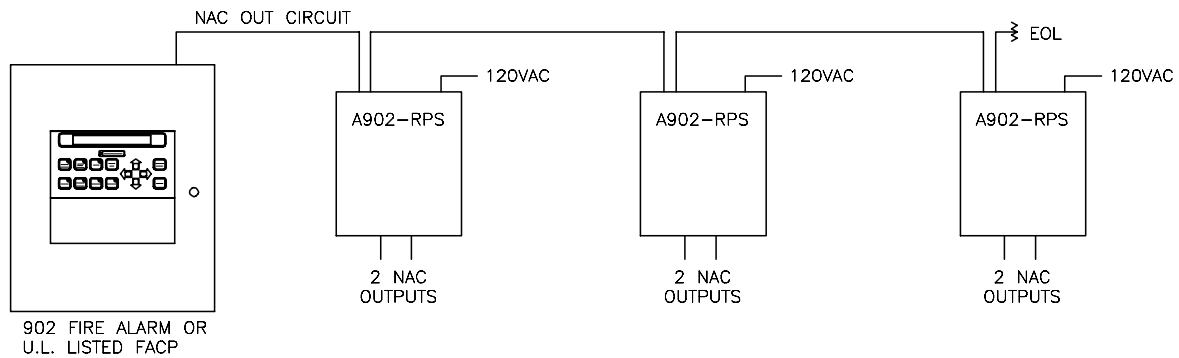
Expandable Design

Dry Contact Activation

Reverse Polarity Activation

U.L. Listed

Wiring Diagrams



Specifications

- Primary Power:** 120VAC (or 240VAC) @ 50/60Hz
- Battery:** Supports up to 18AH Battery
- NAC Power:** 5 Amps
- Remote Input Control:** Reverse Polarity 19VDC to 31VDC
Dry Contact
- Auxiliary Power:** 24VDC @ 500mA max.
- Auxiliary Contacts:** 1 Trouble: Dry Contact 24VDC @ 5Amps
Polarized Contact 24VDC @ 0.2Amps
- Max. Temp. Range:** 32° - 120°F (0 - 49°C)
- Humidity:** 85% Non-condensing max.
- Dimensions:** 12"W x 15"H x 4"D