



The NATIONAL TIME D900-ISO provides line to line short circuit fault isolation on the *DigiComm*[™] Loop or 24VDC riser. The Isolator can be configured for style 4 or 7 (class A/B) operation. The Isolator provides a LED indication on activation. In style 4 operation, devices upstream of the activated isolator will operate as intended. In style 7 operation, devices upstream of the first activated isolator and downstream of the second activated isolator will operate as intended. The isolator restores to normal operation upon restoration of the fault condition. No system reset is required. The isolator mounts to a 4" diameter isolator base.

FEATURES

Style 4 or 7 Operation (Class A/B)

Attractive Package

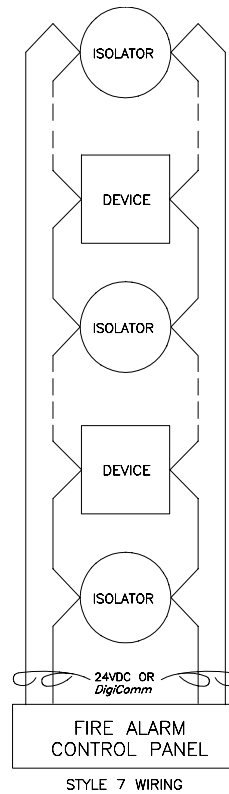
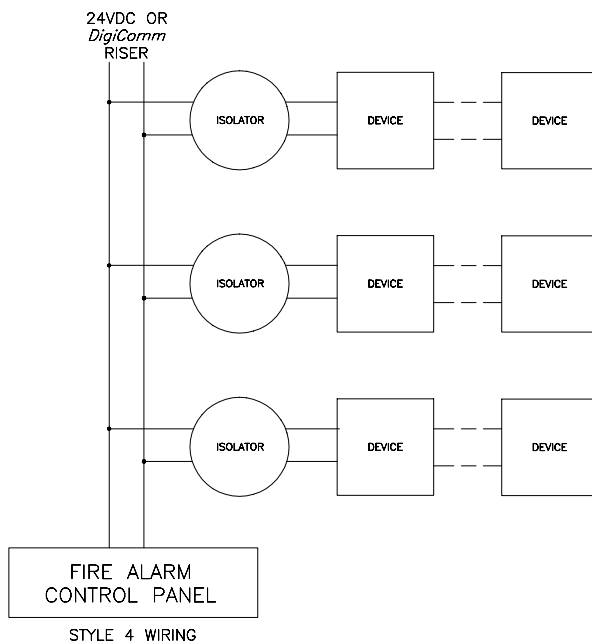
Isolator Active LED

Self-Restoring

DigiComm[™] or 24VDC Isolation

U.L. Listed

Wiring Diagrams



Specifications

DigiComm™ Loop Power: 100uA @ 24VDC (non-isolating condition)
8mA @ 24VDC (isolating condition)

Compatibility: *DigiComm™* or 24VDC (1 Amp max. current)

Operation Voltage Range: 17VDC to 40VDC

Line Resistance: 0.2 ohm

Max. Line Current: 1 Amp

Communication: Style 4 or 7 (via *DigiComm™* Communication Loop)

Finish: White Polycarbonate

Dimensions: 4" dia. x .875"

Net Wt.: 2.5 oz.

Mounting: To *DigiComm™* Isolator Base (see Bulletin F-360)

Ordering Information

Part No.	Description
D900-ISO	<i>DigiComm™</i> Isolator Module
D900-BASE4 ISO	4" Isolator Base

NATIONAL TIME
& SIGNAL CORPORATION

PHONE (248) 380-6264 FAX (248) 380-6268

28045 OAKLAND OAKS CT. WIXOM, MI 48393