

The NATIONAL TIME 900 Series Pre-amplifier module provides the signal sources for the A900-Amplifier module. Built-in circuits are provided to produce the slow-whoop and code 3 temporal patterns. An input is provided to connect a paging microphone (A900-MIC). Utilizing an A900-Audio Link module will allow connection to an external audio source. Each optional A900-DVR module will provide two 16 second digital tapeless audio recordings. The Preamp has two expansion slots to accommodate any combination of these secondary modules.

The NATIONAL TIME 900 Series Amplifier provides a 70.7 Vrms 40 Watt signal. The amplifier can supervise style Z or up to 8 circuits style Y. When used in conjunction with the 900 Series Speaker Zone module, individual zone control and supervision is made possible. The NT Preamp/Amplifier meets all U.L. 1711 and U.L. 864 requirements.

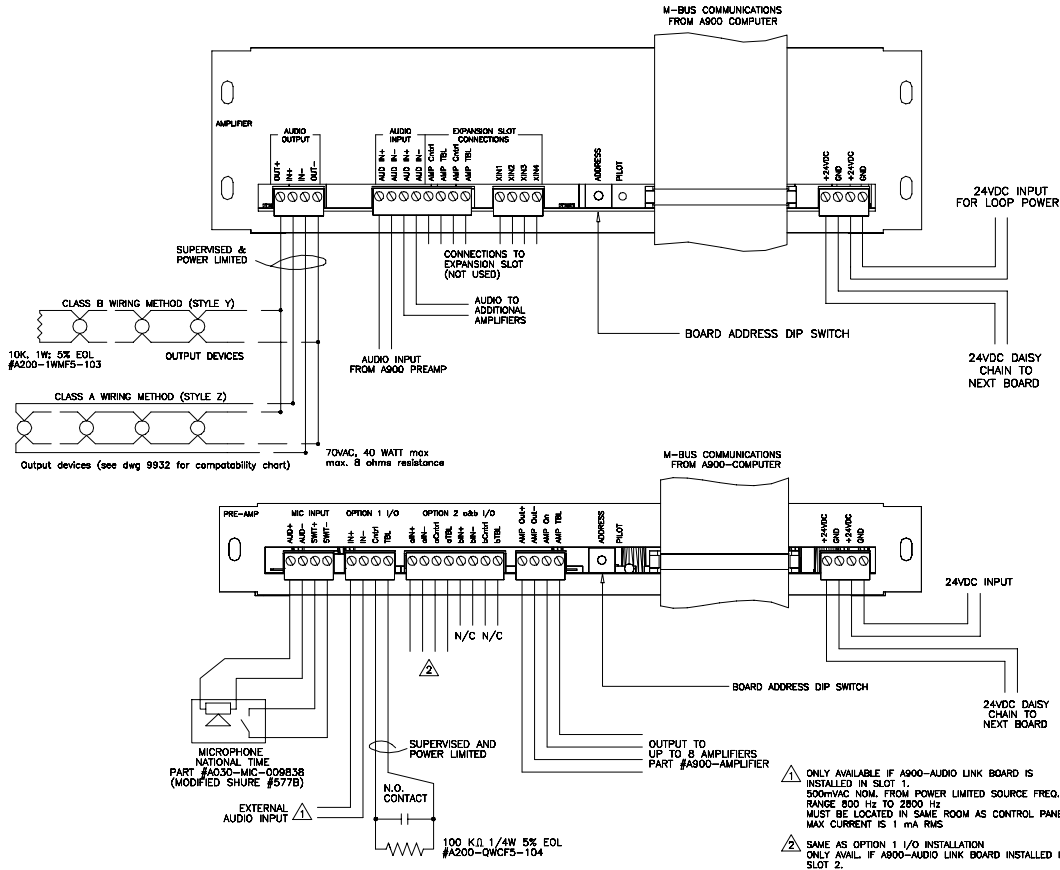
PREAMP FEATURES

- Paging Microphone Input
- Slow Whoop/Code 3 Temporal
- External Audio Input (With A900-Audio Link)
- Digital Voice Recorder (With A900-DVR)
- Drives up to 8 Amplifiers

AMPLIFIER FEATURES

- 40 Watt Output
- Supervised Output; Style Y or Z (Class B or A)
- Supervise up to 8 circuits
- Input Level Detection

Wiring Diagrams



Specifications

A900-PREAMP

- Power Input:** 24VDC, 5VDC via M-BUS
- Inputs:** Microphone input, External Audio input (optional)
- Output:** Differential 2Vp-p max. 1Vp-p typical
Built in tones: Slow Whoop, Code 3 Temporal
16 second Digital Voice Recorder (up to 2 optional)
- Terminations:** Removable Screw Terminals. 12AWG 10A
- Finish:** Powder Grey
- Dimensions:** 1.5"x 10.25"x 4.35" with mounting ears.
Requires 1 rack slot.
- Net Wt.:** 1.0 lbs.

A900-AMPLIFIER

- Power Output:** 40 Watts Continuous (RMS)
- Power Input:** 24VDC, 4A
- Output Load:** 125 Ohms (70.7VRMS)
- Terminations:** Removable Screw Terminals.
12AWG 10A
- Finish:** Powder Grey
- Dimensions:** 3"x 10.25"x 4.35" with mounting ears.
Requires 2 rack slots.
- Net Wt.:** 2.75 lbs.

Ordering Information

Part No.	Description
A900-PREAMP	PREAMPLIFIER, W/ SLOW WHOOP, CODE 3 TEMPORAL
A900-AUDIO LINK	EXTERNAL AUDIO INPUT MODULE*
A900-DVR	DIGITAL VOICE RECORDER MODULE (16 SECONDS)*
A900-MIC	MICROPHONE WITH ENCLOSURE**
A900-AMPLIFIER	40 WATT 70.7 VRMS AMPLIFIER; CLASS A OR B SUPERVISED

* A maximum of 2 modules (any combination of Audio Links and DVRs) may be added to the Preamp.
** If a Firefighter's Telephone system will also be used, the microphone and telephone can share the same enclosure. Order A900-MIC/TEL.