



NATIONAL TIME alarm bells feature low power consumption with high sound output. Indoor or outdoor and single stroke or vibrating models available in 4", 6", and 10" shell sizes. Standard mounting options are provided for installation convenience.

Unique strobe bell combinations also are available for effective audible and visual signaling. The new strobe bell combination signals consist of a standard bell and Lexan™ lens strobe attached to a plate that mounts directly to 4" square backboxes. The bell includes suppression to minimize RFI generated by the contacts. In-out connections are provided for both the strobe and the bell so they can be operated independently or in parallel.

Coded systems require separate wiring for the strobe.

Lexan™ is a registered trademark of General Electric Company

FEATURES

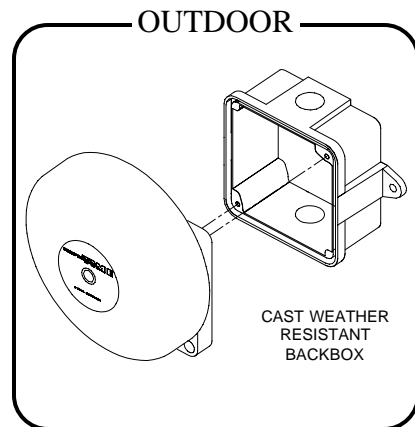
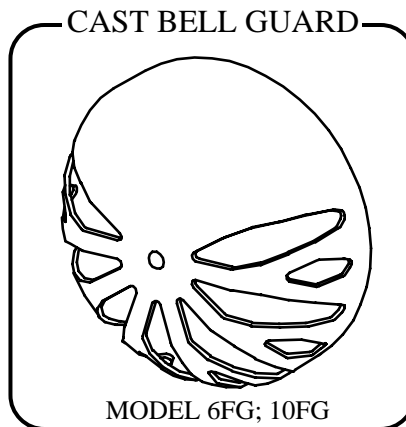
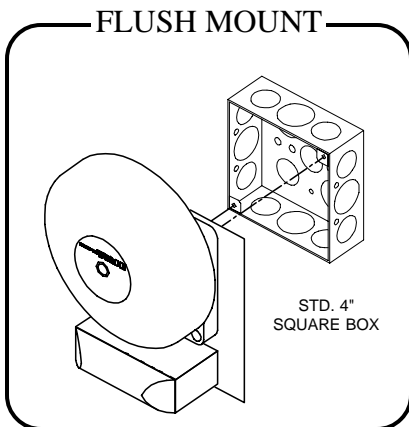
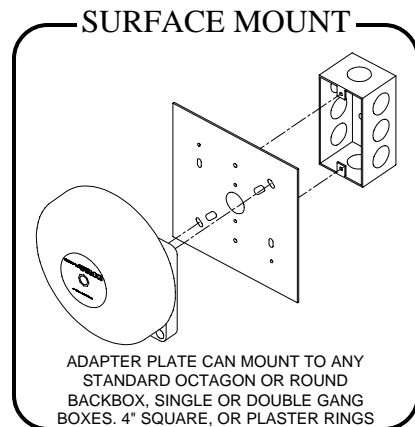
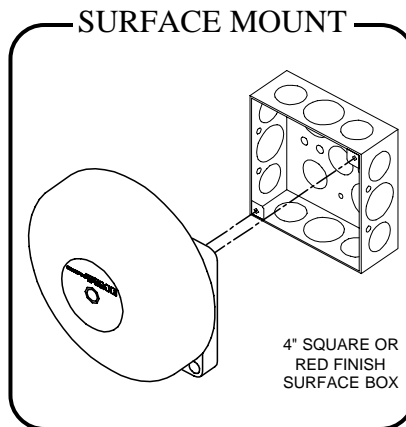
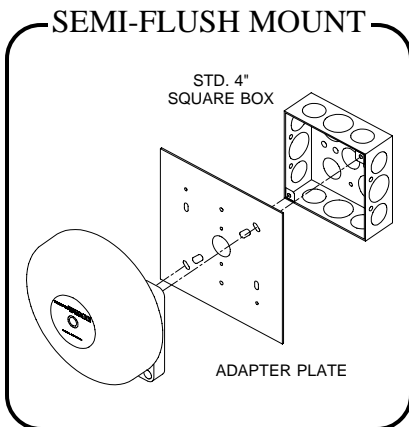
- "W" Series: UL Listed, 1971/464, for 15cd Non-Sleeping Areas. Also meets ADA 75cd for Public Areas
- "D" Series: UL Listed, 1971/464, for 75cd Non-Sleeping Areas. Also meets ADA 75cd for Public Areas
- "S" Series: UL Listed, 1971/464, for 110cd Sleeping

Ordering Information and Specifications

MODEL NUMBER	ACTION	SHELL SIZE	INPUT VOLTAGE	OPERATING CURRENT	DECIBEL OUTPUT ⁽¹⁾	
					MIN.	TYP.
704-24	VIB	4"	24VDC	0.070A	75dB	85dBA
706-24	VIB	6"	24VDC	0.070A	78dB	88dBA
710-24	VIB	10"	24VDC	0.070A	81dB	95dBA
304-120	VIB	4"	120VAC	0.065A	81dB	90dBA
306-120	VIB	6"	120VAC	0.065A	81dB	95dBA
310-120	VIB	10"	120VAC	0.065A	84dB	102dBA
706-SS	S.S.	6"	24VDC	0.360A	75dB	85dBA
710-SS	S.S.	10"	24VDC	0.360A	78dB	92dBA

MODEL NUMBER	SHELL SIZE	INPUT VOLTAGE	OPERATING CURRENT		DECIBEL OUTPUT ⁽¹⁾		STROBE CANDELA	FLASH RATE PER SEC.
			BELL	STROBE	MIN.	TYP.		
706W-AV	6"	24VDC	.07A	80MA	75dB	88dBA	15/75	1.0
710W-AV	10"			80MA	81dB	95dBA	15/75	
706D-AV	6"			175MA	75dB	88dBA	75	
710D-AV	10"			175MA	81dB	95dBA	75	
706S-AV	6"			245MA	75dB	88dBA	110	
710S-AV	10"			245MA	81dB	95dBA	110	
551W STROBE PLATE	N/A			24VDC	N/A	80MA	N/A	

Mounting Options



NATIONAL TIME & SIGNAL CORPORATION

28045 OAKLAND OAKS CT. WIXOM, MI 48393

PHONE (248) 380-6264 FAX (248) 380-6268